

# Astro<sup>®</sup> 320 with DC<sup>™</sup> 50

## Quick Start Manual



## Introduction

### ⚠ WARNING

See the *Important Safety and Product Information* guide in the product box for product warnings and other important information.

### Setting Up the Astro System

Before you can use all the features of the DC 50 device, you should update your Astro to the latest software version. See the *Astro 320 with DC 50 Owner's Manual*.

You must set up the Astro handheld device and the DC 50 dog collar device before you can use the devices.

- 1 Install batteries in the handheld device ([Installing Batteries](#)).
- 2 Charge the dog collar device ([Charging the Dog Collar Device](#)).
- 3 Turn on the devices ([Turning On the Devices](#)).
- 4 If necessary, add the dog collar device to the handheld device ([Adding a Dog](#)).
- 5 Acquire satellite signals ([Acquiring Satellite Signals](#)).

### Device Overviews

#### Astro 320 Handheld Device

### NOTICE

Avoid using a high-powered radio (greater than 5 watts) in close proximity to the handheld device. It may cause irreversible damage to the handheld device.



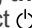
①	GPS antenna
②	VHF antenna
③	Power key
④	Display
⑤	Keypad
⑥	USB port (under weather cap)
⑦	microSD™ card slot (under battery door)
⑧	Mounting spine
⑨	Battery cover D-ring

### Keypad



<b>IN</b>	Select to zoom in on the map.
<b>OUT</b>	Select to zoom out on the map.
<b>MAP</b>	Select to view the map.
<b>MENU</b>	Select to open the menu for the active page. Select twice to open the main menu.
<b>ENTER</b>	Select to select options and acknowledge messages.
<b>BACK</b>	Select to cancel data entry or return to the previous menu or page.
<b>MARK</b>	Select to mark your current location.
<b>DOG</b>	Select to view the dog tracking page.
<b>▲▼◀▶</b>	Select to view or scroll through options and to move the map pointer.

### Locking the Keypad

- 1 Select .
- 2 Select **OUT**.

### DC 50 Dog Collar Device



①	VHF antenna
②	Collar
③	GPS antenna
④	Power key

### Getting More Information

You can find more information about this product on the Garmin® website.

- Go to [www.garmin.com/astro](http://www.garmin.com/astro).
- Go to [www.garmin.com/outdoor](http://www.garmin.com/outdoor).
- Go to <http://buy.garmin.com>, or contact your Garmin dealer for more information about optional accessories and replacement parts.

### Getting the Owner's Manual

You can get the latest owner's manual from the web.

- 1 Go to [www.garmin.com/support](http://www.garmin.com/support).

- 2 Select **Manuals**.
- 3 Follow the on-screen instructions to select your product.

### Registering Your Device

Help us better support you by completing our online registration today.

- Go to <http://my.garmin.com>.
- Keep the original sales receipt, or a photocopy, in a safe place.

### Installing Batteries

The handheld device operates on two AA batteries (not included). Use NiMH or lithium batteries for best results.

- 1 Turn the D-ring counter-clockwise, and pull up to remove the cover.
- 2 Insert two AA batteries, observing polarity.



- 3 Replace the battery cover, and turn the D-ring clockwise.
- 4 Hold **⏻**.
- 5 Select **Setup > System > Battery Type**.
- 6 Select **Alkaline**, **Lithium**, or **Rechargeable NiMH**.

### Charging the Dog Collar Device

#### NOTICE

To prevent corrosion, thoroughly dry the contacts on the collar and the surrounding area before connecting the charging clip.

You should fully charge the battery before you use the device for the first time. Charging a fully depleted battery takes about five hours. The device will not charge when outside the temperature range of 32° to 113°F (0° to 45°C).

- 1 Snap the charging clip **①** onto the device **②**.



- 2 Plug the power cable into a power source.  
The status LED is solid red when the collar is charging.
- 3 After the status LED turns solid green, remove the charging clip from the collar.

### Turning On the Devices

- On the handheld device, hold the power key until the LCD display turns on.
- On the dog collar device, hold the power key until the status LED flashes and the collar beeps.

### Acquiring Satellite Signals

Both the collar and handheld device must acquire satellite signals before you put the collar on your dog. Acquiring satellites can take a few minutes.

- 1 Go outdoors to an open area.
- 2 Turn on both devices ([Turning On the Devices](#)).
- 3 Select the power key on the handheld device.  
**▬▬▬** shows the GPS signal strength.

When the collar has acquired satellite signals, the status LED flashes a double-blink or triple-blink in green.

### Adding a Dog

The handheld device can track up to 10 dogs with dog collar devices. If you purchase additional dog collar devices, you can link them to the handheld device. To link, the handheld device must be close enough to the dog collar device to touch it, or you must know the dog collar device ID number.

- 1 Select **DOG**.
- 2 Select **Add Dog**.
- 3 Follow the on-screen instructions.

By default, the new dog is named “Dog” and an ID number is randomly assigned.

An error message could appear if there is a conflict with the ID number of another dog.

### Status Information

Satellite signal and battery status information is provided on the main menu and when you select **⏻**.

	Indicates the satellite signal strength.
	Indicates the remaining battery power.
	Blinks when the device detects a signal (for example, a dog collar device) on the channel it is receiving.

### Adjusting the Backlight Brightness

**NOTE:** The backlight brightness may be limited when the battery strength is low.

Extensive use of screen backlighting can significantly reduce battery life.

- 1 Select **⏻**.
- 2 Select **⏻** to cycle through the brightness levels.
- 3 Select **ENTER**.

### Marking Your Vehicle Location

You can mark the location of your vehicle so you can navigate back to your vehicle after a hunt.

- 1 From the main menu, select **Start New Hunt**.
- 2 Follow the on-screen instructions.

### Dog Tracking

The handheld device allows you to track your dog, up to 9 miles (14.48 km) away, using the dog tracking compass or map. The map displays your location and your dog's location and tracks. On the dog-tracking compass, the pointer indicates the direction of the dog's current location.

**NOTE:** Both the collar and the handheld device must acquire satellites before you can track the dog on the handheld device.

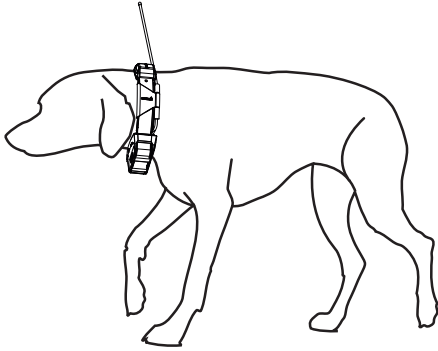
### Fitting the Collar on Your Dog

Before you put the collar on the dog, you must pair the handheld device and collar ([Adding a Dog](#)), and acquire satellite signals ([Acquiring Satellite Signals](#)).

- 1 Position the collar with the VHF whip antenna pointing up, the GPS antenna facing up, and the LEDs facing forward.
- 2 Place the collar around the middle of the dog's neck.

- Tighten the strap so it is snug around the dog's neck.

**NOTE:** The collar should fit tightly and should not be able to rotate or slide on the dog's neck. The dog must be able to swallow food and water normally. You should observe your dog's behavior to verify that the collar is not too tight.



- If the strap is too long, cut off the excess, leaving at least 3 inches (7.62 cm) to spare.

### Communication with the Collar

The handheld device and dog collar device use radio signals to communicate. Objects in the path of radio signals degrade the quality of the signals. Keeping an unobstructed line of sight between your handheld device and your dog's dog collar device produces the best communication signal. Obstructed radio waves result in a poor signal. To achieve the best line-of-sight conditions, you should move to the highest elevation point in your area (for example, on the top of a hill).

Best	
Good	
Poor	

### Calibrating the Compass

**NOTE:** You must calibrate the electronic compass outdoors. Do not stand near objects that influence magnetic fields, such as cars, buildings, or overhead power lines.

The device has a 3-axis electronic compass. You should calibrate the compass after moving long distances, experiencing temperature changes, or changing the batteries.

- Select **DOG > MENU**.
- Select **Calibrate Compass > Start**.
- Follow the on-screen instructions.

### Garmin BaseCamp™ BaseStation

To get the most from your Garmin device, you can download BaseCamp software. Go to [www.garmin.com/basecamp](http://www.garmin.com/basecamp). You can view and organize your maps, waypoints, routes, and tracks and send them to your device. You can also use the BaseStation feature to view the location of your dogs on your computer in real time.

### Tips

- Turn on the dog collar device and allow it to acquire satellites before you put the dog collar device on your dog. This allows the dog collar device to acquire satellite signals much faster.

- Bring extra AA batteries for your handheld device.
- Use a fully charged dog collar device. A fully charged dog collar device operates for approximately 26 hours when using five-second interval reporting.
- Use line-of-sight radio communication ([Communication with the Collar](#)).
- From the dog tracking page, select **MENU > Small Numbers** to reduce the text size. This allows you to view more dogs at one time on the dog tracking page.

## Device Information

### VHF Radio Information

This product may be used only on specific radio frequencies, which vary depending on the country of use. See the product packaging or go to [www.garmin.com/astro-legal](http://www.garmin.com/astro-legal) for details regarding the radio frequency of this product.

### Replacing the VHF Antenna in the Dog Collar Device

#### NOTICE

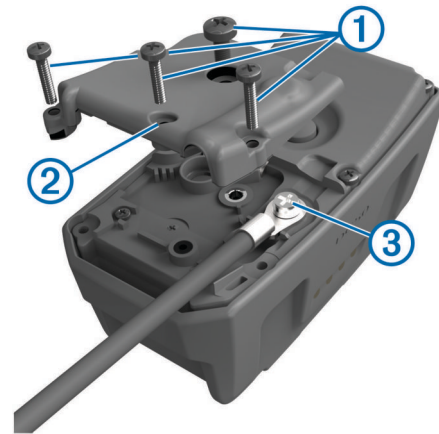
Do not excessively bend the band that connects the main device case with the GPS antenna.

When the cover is removed, do not disturb the sealant opposite the VHF antenna, because this can damage the waterproof seal of the dog collar device.

Before you replace the VHF antenna, you must remove all dirt, water, and debris from the device. Also, you need a small Phillips screwdriver.

- Remove the 4 screws ① from the cover over the VHF antenna.

**NOTE:** You should note the location of the one short screw ②.



- Pry off the cover.
- Remove the screw ③ securing the VHF antenna to the back plate.
- Pull the length of the antenna from the antenna guide to remove the old antenna.
- Loop the antenna guide around the collar strap, and thread the new VHF antenna through the guide. This helps to point the antenna up.
- Replace the screw securing the VHF antenna to the back plate.
- Replace the cover over the VHF antenna.
- Replace the 4 screws on the cover, replacing the short screw in the correct location.

## Optional Accessories

Optional accessories, such as mounts, maps, fitness accessories, and replacement parts, are available at <http://buy.garmin.com> or from your Garmin dealer.

## Troubleshooting

### My handheld device is not responding

If your handheld device stops responding, you can reset the device.

**NOTE:** This does not erase any of your data or settings.

- 1 Remove the batteries.
- 2 Reinstall the batteries ([Installing Batteries](#)).

### My dog collar device is not responding

If your dog collar device stops responding, you can reset the device.

Hold  for 20 seconds.

### My dog collar devices have conflicting IDs

Each dog you track has its own ID number. If two dogs within range of the handheld device have the same ID, the handheld device warns you of a conflicting ID signal. Follow the on-screen instructions to resolve the conflict.

When possible, you should allow the handheld device to automatically assign IDs. If necessary, you can manually assign a new ID number to a dog.

### Contacting Garmin Product Support

- Go to [www.garmin.com/support](http://www.garmin.com/support) and click **Contact Support** for in-country support information.
- In the USA, call (913) 397.8200 or (800) 800.1020.
- In the UK, call 0808 2380000.
- In Europe, call +44 (0) 870.8501241.

# [www.garmin.com/support](http://www.garmin.com/support)



913-397-8200  
1-800-800-1020



0808 238 0000  
+44 (0) 870 8501242



1-866-429-9296



+43 (0) 820 220230



+ 32 2 672 52 54



+385 1 5508 272  
+385 1 5508 271



+420 221 985466  
+420 221 985465



+ 45 4810 5050



+ 358 9 6937 9758



+ 331 55 69 33 99



+ 39 02 36 699699



(+52) 001-855-792-7671



0800 0233937



+47 815 69 555



00800 4412 454  
+44 2380 662 915



(+35) 1214 447 460



+386 4 27 92 500



0861 GARMIN (427 646)  
+27 (0)11 251 9999



+34 93 275 44 97



+49 (0)180 6 427646  
20 ct./Anruf. a. d.  
deutschen Festnetz,  
Mobilfunk max. 60 ct./Anruf



+ 46 7744 52020

**Garmin International, Inc.**  
1200 East 151st Street  
Olathe, Kansas 66062, USA

**Garmin (Europe) Ltd.**  
Liberty House, Hounsdown Business Park  
Southampton, Hampshire, SO40 9LR UK

**Garmin Corporation**  
No. 68, Zhangshu 2nd Road, Xizhi Dist.  
New Taipei City, 221, Taiwan (R.O.C.)

Garmin®, the Garmin logo, and Astro® are trademarks of Garmin Ltd. or its subsidiaries, registered in the USA and other countries. ANT+™, BaseCamp™, and DC™ are trademarks of Garmin Ltd. or its subsidiaries. These trademarks may not be used without the express permission of Garmin.

microSD™ and the microSD logo are trademarks of SD-3C, LLC.

Other trademarks and trade names are those of their respective owners.

