



## FLUSH MOUNT INSTRUCTIONS

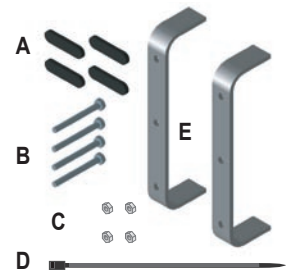
### Flush Mount Pocket

Mounts to the bulkhead and retains the unit.



### Mounting Hardware:

- A—Foam Rubber Pads (4)
- B—M4x40 mm Hex Head Screws (4)
- C—M4 Hex Nuts (4)
- D—Reusable Cable Tie (1)
- E—Metal Retaining Brackets (2)



### Tool List (Not Included)

- Jig Saw
- 7 mm Wrench
- Masking Tape
- Phillips Screwdriver
- Drill and 3/8" (10 mm) Drill Bit
- Thread Locking Compound
- Safety Glasses and Dust Mask

Read these instructions thoroughly before attempting installation. Make sure you completely understand these instructions before you begin. If you experience difficulty with the installation, contact Garmin Product Support or a professional installer. Be sure the cables reach the unit and transducer location before beginning installation. Check the packing list above. If you are missing any items, contact your Garmin dealer. Be sure to wear safety glasses and a dusk mask when drilling and cutting.

### Installing the Flush Mount Pocket

1. Using the supplied Mounting Template, locate a suitable mounting location and tape the template in place. Be sure to check behind the installation area to avoid cutting or drilling into wiring or cables.
2. Drill a 3/8" (10 mm) hole at the location indicated on the template as a starting point, then using the Jig Saw, cut the panel along the inside of the indicated line. Be sure that your cut does not go outside the line.
3. Test fit the pocket. If adjustments to the cutout are necessary, use a file and sandpaper to refine the fit of the pocket.
4. Install the four Foam Rubber Pads in the pocket at the locations indicated in Figure 1. To install the pads, peel the lining off of the back and install with the sticky side against the pocket.
5. Insert the pocket in the panel with the Garmin logo positioned at the top. Install a M4 Hex Head Screw through the pocket and the corresponding hole in the Metal Retaining Bracket. Start a 4 mm Hex Nut on the screw. Repeat the process until all 4 nuts are started (Figure 2). Tighten the M4 nuts using a 7 mm wrench or socket. If operating in a high vibration environment it is recommended that you use a thread locking compound on the M4 Hex Head Screws.
6. Secure the cable to the rectangular slot on the left side of the Flush Mount Pocket or one of the metal retaining brackets with the wire tie provided in the kit. Leave approximately 18" (50 cm) of cable extending through the pocket to aid in installation and removal of the unit.

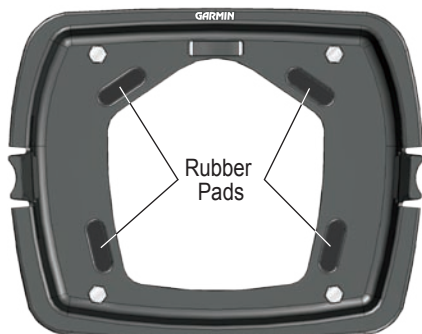
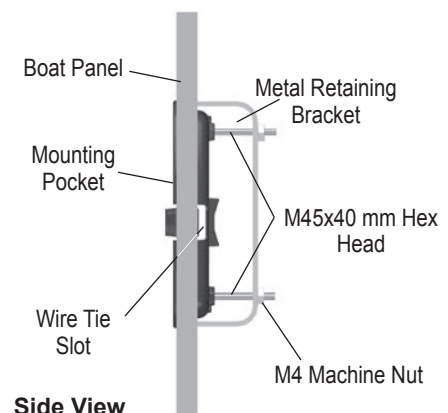


Figure 1



Side View

Figure 2

### Installing/Removing the Unit:

1. Connect the wiring harness to the unit, making sure the locking ring is fully tightened.
2. Slide the Fishfinder into the pocket (Figure 3). When the Fishfinder is fully inserted, the lock tabs click into place (Figure 4). It may be necessary to apply some pressure when inserting the assembly into the pocket to compress the foam rubber pads.
3. To remove the unit from the pocket, press the lock tabs toward the unit while sliding the unit out of the pocket (Figure 5).

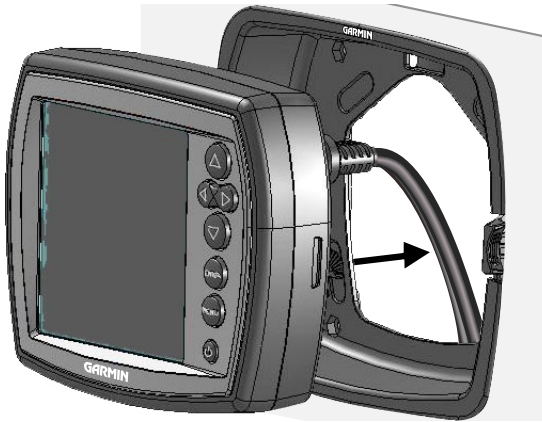


Figure 3



Fishfinder 120



Fishfinder 250

Figure 4



Lock Tabs

Figure 5



© Copyright 2004, 2005 Garmin Ltd. or its subsidiaries

Garmin International, Inc.  
1200 E 151st Street, Olathe, Kansas 66062 U.S.A.  
Tel. 913/397.8200  
Fax. 913/397.8282

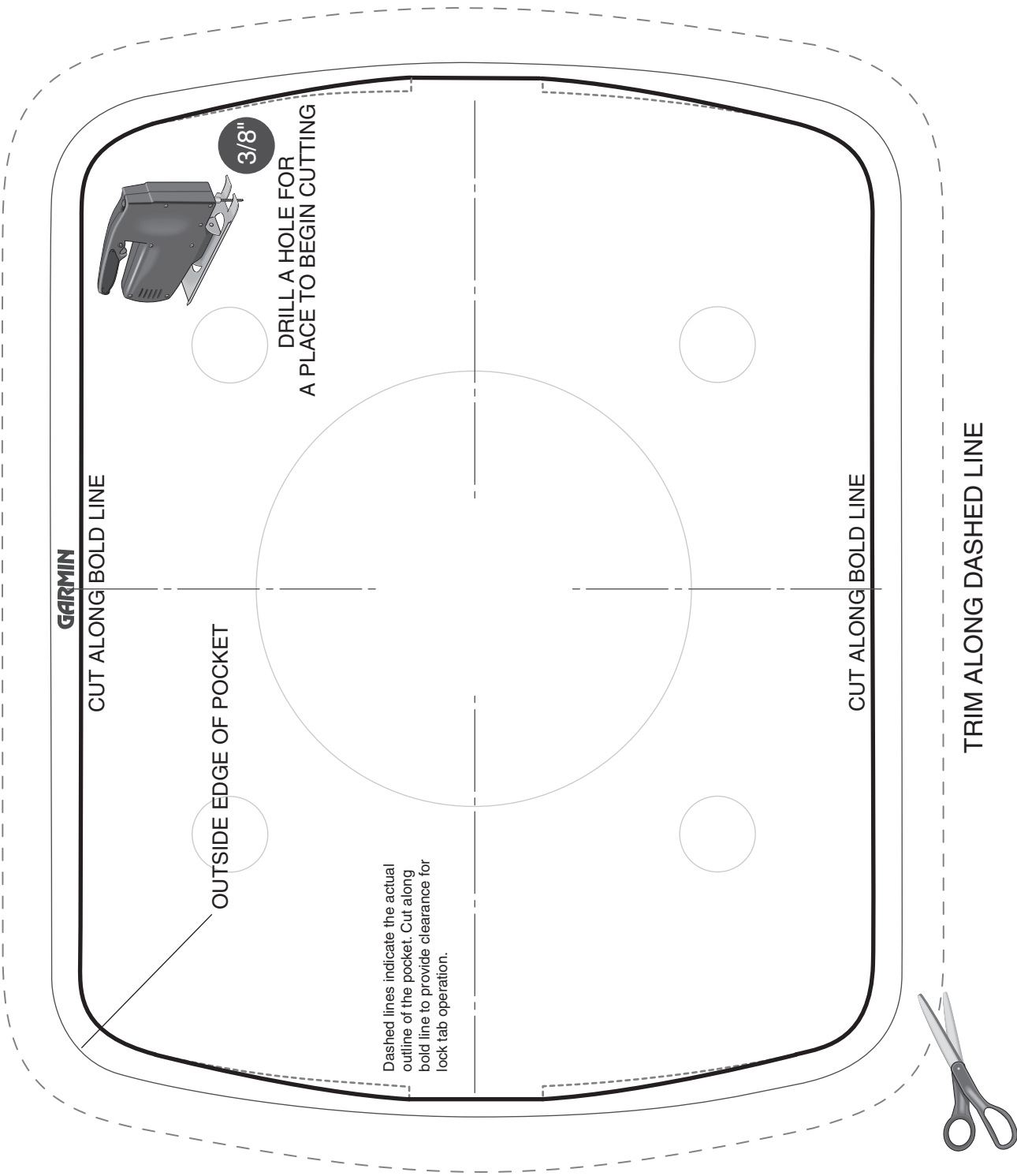
Garmin (Europe) Ltd.  
Unit 5, The Quadrangle, Abbey Park Industrial Estate, Romsey, SO51 9AQ U.K.  
Tel. 44/0870.8501241  
Fax. 44/0870.8501251

Garmin Corporation  
No. 68, Jangshu 2nd Road, Shijr, Taipei County, Taiwan  
Tel. 886/2.2642.9199  
Fax. 886/2.2642.9099

Part Number 190-00311-01 Rev. D



# FLUSH MOUNT TEMPLATE



**GARMIN**

CUT ALONG BOLD LINE

OUTSIDE EDGE OF POCKET

3/8"

DRILL A HOLE FOR  
A PLACE TO BEGIN CUTTING

Dashed lines indicate the actual  
outline of the pocket. Cut along  
bold line to provide clearance for  
lock tab operation.

CUT ALONG BOLD LINE

TRIM ALONG DASHED LINE

