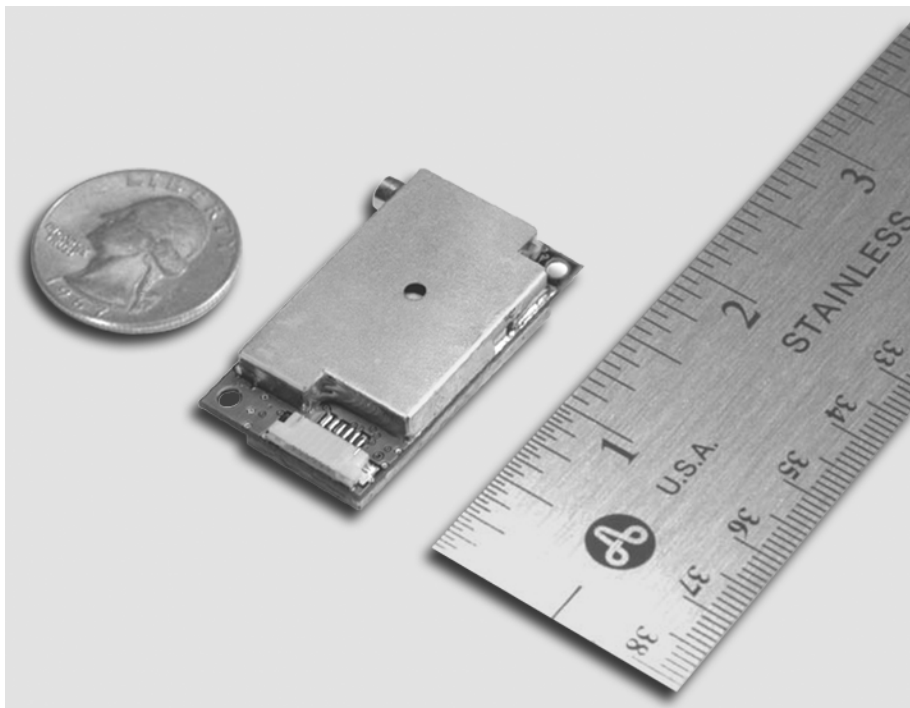


# GPS 15x TECHNICAL SPECIFICATIONS



**GARMIN®**

Garmin International, Inc.  
1200 E. 151<sup>st</sup> Street  
Olathe, KS 66062 USA

190-00266-02, Revision A

August, 2009

© Copyright 2009

Garmin Ltd. or its subsidiaries

All Rights Reserved

Except as expressly provided below, no part of this manual may be reproduced, copied, transmitted, disseminated, downloaded, or stored in any storage medium, for any purpose without the express prior written consent of Garmin. Garmin hereby grants permission to download a single copy of this manual and of any revision to this manual onto a hard drive or other electronic storage medium to be viewed and to print one copy of this manual or of any revision hereto, provided that such electronic or printed copy of this manual or revision must contain the complete text of this copyright notice and provided further that any unauthorized commercial distribution of this manual or any revision hereto is strictly prohibited.

Information in this document is subject to change without notice. Garmin reserves the right to change or improve its products and to make changes in the content without obligation to notify any person or organization of such changes or improvements.

Garmin International, Inc.  
1200 East 151<sup>st</sup> Street  
Olathe, KS 66062 U.S.A.  
Telephone: 913/397.8200  
FAX: 913/397.8282

Garmin (Europe) Ltd.,  
Liberty House, Hounsdown Business Park,  
Southampton, Hampshire, SO40 9LR UK  
Tel. +44 (0) 870.8501241 (outside the UK)  
0808 2380000 (within the UK)  
Fax +44 (0) 870.8501251

Garmin Corporation  
No. 68, Jangshu 2<sup>nd</sup> Road  
Shijr, Taipei County, Taiwan  
Telephone: 886/2.2642.9199  
FAX: 886/2.2642.9099

Web site address: [www.garmin.com](http://www.garmin.com)

# TABLE OF CONTENTS

<b>1</b>	<b>Introduction.....</b>	<b>1</b>
1.1	Caution.....	1
1.2	Limited Warranty.....	2
1.3	Overview.....	3
1.4	Features.....	3
1.5	Technical Specifications.....	4
1.5.1	Physical Characteristics.....	4
1.5.2	Electrical Characteristics.....	4
1.5.3	Environmental Characteristics.....	4
1.5.4	GPS Performance.....	5
1.5.5	Interfaces.....	5
1.5.6	Antenna Specifications.....	6
<b>2</b>	<b>GPS 15x Wire Descriptions and Wiring Diagrams.....</b>	<b>7</b>
2.1	GPS 15x Wire Descriptions.....	7
2.2	GPS 15x Wiring Diagrams.....	8
<b>3</b>	<b>Mechanical Characteristics &amp; Mounting.....</b>	<b>9</b>
<b>4</b>	<b>GPS 15x Software Interface.....</b>	<b>10</b>
4.1	Received NMEA 0183 Sentences.....	10
4.1.1	Almanac Information (ALM).....	10
4.1.2	Sensor Initialization Information (PGRMI).....	11
4.1.3	Sensor Configuration Information (PGRMC).....	11
4.1.4	Additional Sensor Configuration Information (PGRMC1).....	12
4.1.5	Output Sentence Enable/Disable (PGRMO).....	12
4.2	Transmitted NMEA 0183 Sentences.....	13
4.2.1	Sentence Transmission.....	13
4.2.2	Transmitted Time.....	13
4.2.3	Global Positioning System Almanac Data (ALM).....	14
4.2.4	Global Positioning System Fix Data (GGA).....	14
4.2.5	GPS DOP and Active Satellites (GSA).....	14
4.2.6	GPS Satellites in View (GSV).....	15
4.2.7	Recommended Minimum Specific GPS/TRANSIT Data (RMC).....	15
4.2.8	Track Made Good and Ground Speed (VTG).....	15
4.2.9	Geographic Position (GLL).....	15
4.2.10	Estimated Error Information (PGRME).....	16
4.2.11	GPS Fix Data Sentence (PGRMF).....	16
4.2.12	Map Datum (PGRMM).....	16
4.2.13	Sensor Status Information (PGRMT).....	16
4.2.14	3D Velocity Information (PGRMV).....	16
4.2.15	DGPS Beacon Information (PGRMB).....	17
	<b>Appendix A: Earth Datum List.....</b>	<b>17</b>
	<b>Appendix B: Garmin Binary Output Format.....</b>	<b>20</b>
	<b>Appendix C: Changing the Baud Rate in Garmin Mode.....</b>	<b>23</b>
	<b>Appendix D: GPS 15x Windows Serial Mouse Issue.....</b>	<b>24</b>

<b>Appendix E: Sensor Configuration Software.....</b>	<b>26</b>
Downloading the Sensor Configuration Software.....	26
Selecting a Model.....	26
Connecting to the Sensor .....	26
File Menu .....	27
Comm Menu .....	27
Config Menu.....	27
View Menu.....	28
Help Menu .....	28

**LIST OF TABLES AND FIGURES**

Table 1: Gain vs. SNR for Given Noise Figure.....	6
Table 2: GPS 15x Wire Descriptions.....	7
Figure 1: Computer Serial Port Interconnection.....	8
Figure 2: PDA Serial Port Interconnection.....	8
Figure 3: Basic NMEA 0183 Device Interconnection.....	8
Figure 4: GPS 15x-F Dimensions.....	9
Figure 5: GPS 15x-W Outline Drawing .....	9
Table 3: NMEA 0183 Output Sentence Order and Size.....	13
Table 4: Characters per Second for Available Baud Rates.....	13

# **1 INTRODUCTION**

## **1.1 CAUTION**

The GPS system is operated by the government of the United States, which is solely responsible for its accuracy and maintenance. Although the GPS 15x is a precision electronic NAVigation AID (NAVAID), any NAVAID can be misused or misinterpreted, and therefore become unsafe. Use these products at your own risk. To reduce the risk, carefully review and understand all aspects of these Technical Specifications before using the GPS 15x. When in actual use, carefully compare indications from the GPS to all available navigation sources including the information from other NAVAIDs, visual sightings, charts, etc. For safety, always resolve any discrepancies before continuing navigation.

## **FCC Compliance**

This device complies with part 15 of the FCC Rules. Operation is subject to the following two conditions: (1) this device may not cause harmful interference, and (2) this device must accept any interference received, including interference that may cause undesired operation.

This equipment has been tested and found to comply with the limits for a Class B digital device, pursuant to part 15 of the FCC rules. These limits are designed to provide reasonable protection against harmful interference in a residential installation. This equipment generates, uses, and can radiate radio frequency energy and may cause harmful interference to radio communications if not installed and used in accordance with the instructions. However, there is no guarantee that interference will not occur in a particular installation. If this equipment does cause harmful interference to radio or television reception, which can be determined by turning the equipment off and on, the user is encouraged to try to correct the interference by one of the following measures:

- Reorient or relocate the receiving antenna.
- Increase the separation between the equipment and the receiver.
- Connect the equipment into an outlet that is on a different circuit from the receiver.
- Consult the dealer or an experienced radio/TV technician for help.

This product does not contain any user-serviceable parts. Repairs should only be made by an authorized Garmin service center. Unauthorized repairs or modifications could result in permanent damage to the equipment, and void your warranty and your authority to operate this device under Part 15 regulations.

## 1.2 LIMITED WARRANTY

This Garmin product is warranted to be free from defects in materials or workmanship for one year from the date of purchase. Within this period, Garmin will, at its sole option, repair or replace any components that fail in normal use. Such repairs or replacement will be made at no charge to the customer for parts or labor, provided that the customer shall be responsible for any transportation cost. This warranty does not cover failures due to abuse, misuse, accident, or unauthorized alteration or repairs

This product is intended to be used only as a travel aid and must not be used for any purpose requiring precise measurement of direction, distance, location, or topography. Garmin makes no warranty as to the accuracy or completeness of map data in this product.

THE WARRANTIES AND REMEDIES CONTAINED HEREIN ARE EXCLUSIVE AND IN LIEU OF ALL OTHER WARRANTIES EXPRESS, IMPLIED, OR STATUTORY, INCLUDING ANY LIABILITY ARISING UNDER ANY WARRANTY OF MERCHANTABILITY OR FITNESS FOR A PARTICULAR PURPOSE, STATUTORY OR OTHERWISE. THIS WARRANTY GIVES YOU SPECIFIC LEGAL RIGHTS, WHICH MAY VARY FROM STATE TO STATE.

IN NO EVENT SHALL GARMIN BE LIABLE FOR ANY INCIDENTAL, SPECIAL, INDIRECT, OR CONSEQUENTIAL DAMAGES, WHETHER RESULTING FROM THE USE, MISUSE, OR INABILITY TO USE THIS PRODUCT OR FROM DEFECTS IN THE PRODUCT. SOME STATES DO NOT ALLOW THE EXCLUSION OF INCIDENTAL OR CONSEQUENTIAL DAMAGES, SO THE ABOVE LIMITATIONS MAY NOT APPLY TO YOU.

Garmin retains the exclusive right to repair or replace the unit or software or offer a full refund of the purchase price at its sole discretion. SUCH REMEDY SHALL BE YOUR SOLE AND EXCLUSIVE REMEDY FOR ANY BREACH OF WARRANTY.

To obtain warranty service, contact your local Garmin authorized dealer or call Garmin Product Support for shipping instructions and an RMA tracking number. Securely pack the unit and a copy of the original sales receipt, which is required as the proof of purchase for warranty repairs. Write the tracking number clearly on the outside of the package. Send the unit, freight charges prepaid, to any Garmin warranty service station.

**Online Auction Purchases:** Products sold through online auctions are not eligible for rebates or other special offers from Garmin. Online auction confirmations are not accepted for warranty verification. To obtain warranty service, an original or copy of the sales receipt from the original retailer is required. Garmin will not replace missing components from any package purchased through an online auction.

**International Purchases:** A separate warranty is provided by international distributors for units purchased outside the United States. This warranty is provided by the local in-country distributor and this distributor provides local service for your unit. Distributor warranties are only valid in the area of intended distribution. Units purchased in the United States or Canada must be returned to the Garmin service center in the United Kingdom, the United States, Canada, or Taiwan for service.

Garmin International, Inc.  
1200 East 151<sup>st</sup> Street  
Olathe, KS 66062, U.S.A.  
Tel. (913) 397.8200 or  
(800) 800.1020  
Fax (913) 397.8282

Garmin (Europe) Ltd.,  
Liberty House  
Hounslow Business Park,  
Southampton, Hampshire, SO40 9LR UK  
Tel. +44 (0) 870.8501241 (outside the UK) \\  
0808 2380000 (within the UK)  
Fax +44 (0) 870.8501251

Garmin Corporation  
No. 68, Jangshu 2nd Road,  
Shijr, Taipei County, Taiwan  
Tel. 886/2.2642.9199  
Fax 886/2.2642.9099

### **1.3 OVERVIEW**

The GPS 15x sensor board is designed for a broad spectrum of OEM (Original Equipment Manufacturer) system applications. Based on the proven technology found in other Garmin GPS receivers, the GPS 15x tracks multiple satellites at a time while providing fast time-to-first-fix, precise navigation updates, and low power consumption. The GPS 15x includes the capability of Wide Area Augmentation System (WAAS) differential GPS.

The GPS 15x requires minimal additional components to be supplied by an OEM or system integrator. A minimum system must provide the GPS with a source of power, an active GPS antenna, and a clear view of the GPS satellites. The system may communicate with the GPS 15x through its 3.3 Vdc CMOS-level serial port. The asynchronous serial port interface is UART (Universal Asynchronous Receiver-Transmitter) compatible polarity. The GPS 15x stores data such as satellite orbital parameters, last-known position, and date and time in the battery backed up SRAM. End-user interfaces, such as keyboards and displays, are the responsibility of the application designer.

### **1.4 FEATURES**

- GPS receiver tracks and uses multiple satellites for fast, accurate positioning and velocity estimates.
- Compact, rugged design ideal for applications with minimal space.
- May be remotely mounted in an out-of-the-way location.
- User initialization is not required. Once installed, this device automatically produces navigation data.
- On-board backup battery to maintain the non-volatile SRAM and real-time clock for up to 21 days.
- Provision for external power to maintain the charge on the backup battery.
- Configurable parameters include expected position, current time and date, and preferred position fix type (2D, 3D, or automatic).

## 1.5 TECHNICAL SPECIFICATIONS

Specifications are subject to change without notice.

### 1.5.1 Physical Characteristics

#### 1.5.1.1 Size

0.940 × 1.690 × 0.309 in. (23.88 × 42.93 × 7.84 mm)

#### 1.5.1.2 Weight

0.26 oz. (7.37 g)

#### 1.5.1.3 Available Connector Options

GPS 15x-F: 6-pin LIF flex connector, 1 millimeter pitch. For use with common 1mm pitch, 6-conductor flex cable, available as Garmin Part Number 310-00040-00. This flex cable mates with common 1mm pitch, 6-pin flex connector, such as Garmin Part Number 330-00346-06 or Molex Part Number 52793-0690. Refer to the Molex Web site at [www.molex.com](http://www.molex.com).

GPS 15x-W: 6-pin JST connector, 1 millimeter pitch; mating wire harness included. (Garmin Part Number 325-00118-00). The connector housing used on this harness is equivalent to JST Part Number SHR-06V-S-B. The 6-wire crimp socket is equivalent to JST Part Number SSH-003T-P0.2. Refer the JST Web site at [www.jst.com](http://www.jst.com).

#### 1.5.1.4 Antenna Connector

The GPS 15x provides a MCX female connector for connection to an active GPS antenna. The antenna should be terminated in MCX male. A suitable antenna is Garmin GA 25 MCX (Garmin Part Number 010-10702-00). Other antennas that are terminated in male BNC connectors may be adapted using a Garmin MCX to BNC Adapter Cable (Garmin Part Number 010-10121-00).

### 1.5.2 Electrical Characteristics

#### 1.5.2.1 Input Voltage

From 3.0 Vdc to 3.5 Vdc regulated, with less than ±50 mV peak-to-peak voltage ripple

#### 1.5.2.2 Input Current

75 mA peak, 66 mA nominal

#### 1.5.2.3 CMOS Serial Output Levels

0 Vdc to 2.8 Vdc (Asynchronous Serial, UART Compatible Polarity)

#### 1.5.2.4 GPS Receiver Sensitivity

-185 dBW minimum

### 1.5.3 Environmental Characteristics

- Operating Temperature: From -22°F to 176°F (from -30°C to +80°C)
- Storage Temperature: From -40°F to 194°F (from -40°C to +90°C)



## **1.5.4 GPS Performance**

### **1.5.4.1 Receiver**

WAAS enabled GPS receiver continuously tracks and uses multiple satellites to compute and update your position.

### **1.5.4.2 Acquisition Times**

- Reacquisition: Less than 2 seconds
- Hot:            Approx. 1 second (all data known)
- Warm:         Approx. 38 seconds (initial position, time, and almanac known; ephemeris unknown)
- Cold:         Approx. 45 seconds

### **1.5.4.3 Update Rate**

1 second default; NMEA 0183 output interval configurable from 1 to 900 seconds in 1-second increments

### **1.5.4.4 Accuracy**

- GPS Standard Positioning Service (SPS)  
Position: < 15 meters, 95% typical (100 meters with Selective Availability on)  
Velocity: 0.1 knot RMS steady state
- DGPS (WAAS)  
Position: <3 meters, 95% typical  
Velocity: 0.1 knot RMS steady state
- Dynamics: 999 knots velocity (only limited at altitude greater than 60,000 feet), 3g dynamics

## **1.5.5 Interfaces**

### **1.5.5.1 GPS 15x Electrical Characteristics**

- CMOS level output for interfacing directly to a UART on the host.
- Factory setting is 4800 baud. User-selectable baud: 4800, 9600, 19200, 38400.

### 1.5.6 Antenna Specifications

The active antenna used with the GPS 15x should have the following specifications:

- Gain: Antenna should provide between 10 dB to 35 dB net gain between the antenna feed point and the connection to the GPS 15x. All amplifier gains, filter losses, cable losses, etc. must be considered when calculating the gain.
- RF Connection: GPS 15x RF Connection: MCX Female connector (on the GPS 15x board)  
Antenna Connection: MCX Male connector (on the end of the antenna cable)
- Garmin Antenna: GA 25 MCX (Garmin Part Number 010-10702-00) provides the required MCX Male connector. Other Garmin antennas terminated in a BNC Male connector may also be used if a Garmin MCX to BNC Adapter Cable (Garmin Part Number 010-10121-00) is used. Place the MCX to BNC Adapter Cable between the connector on the end of the antenna cable and the connector on the GPS 15x.
- Noise Figure/Gain: The total noise on the external antenna must be  $\leq 7$  dB with a gain between 10 dB and 35 dB. Refer to the table below.

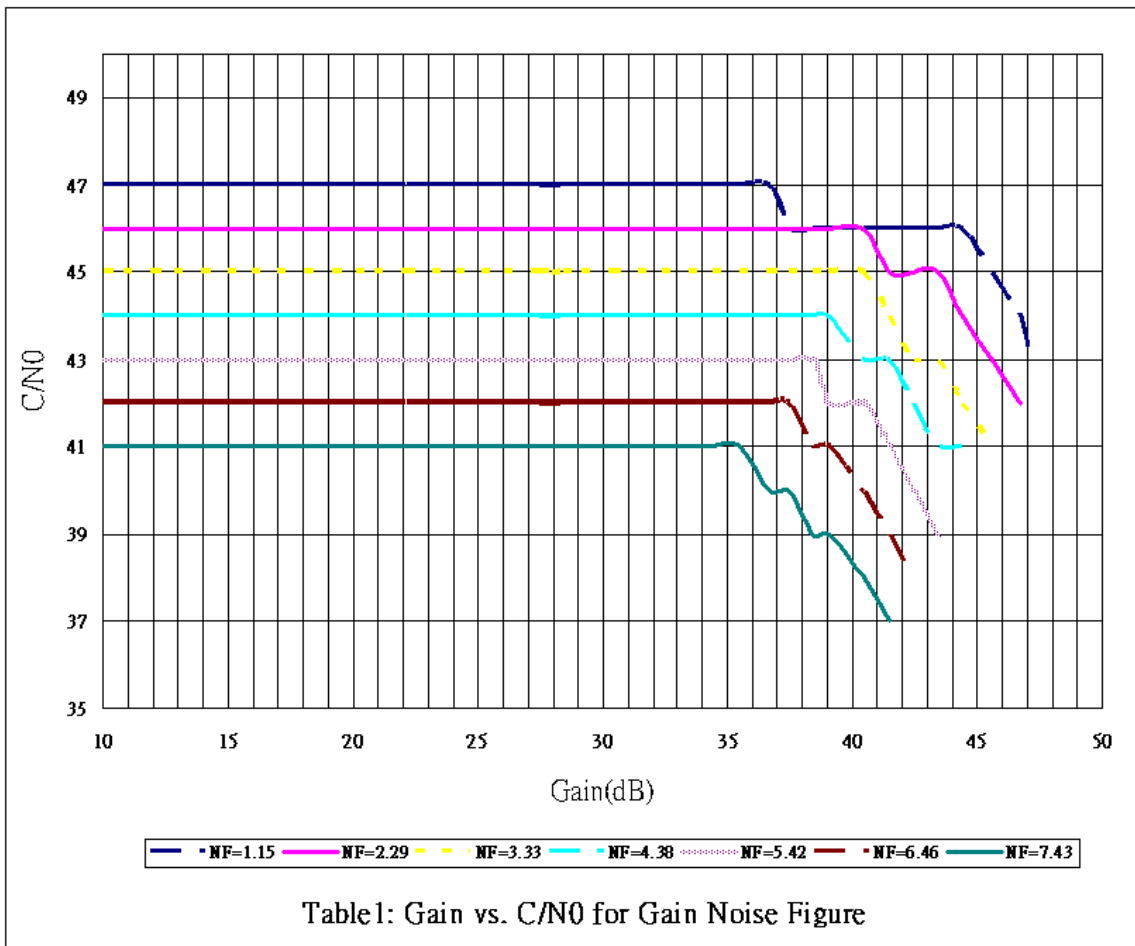


Table 1: Gain vs. C/N0 for Gain Noise Figure

**Table 1: Gain vs. SNR for Given Noise Figure**

Should be properly biased by your choice of:

Power from on-board source: 3.3 Vdc, the voltage you supply to Vin, through an on-board ~10 Ohm current limiting resistance. The antenna must not draw more than 60 mA.

Power from external source: From 4.0 Vdc to 8.0 Vdc bias through the series combination of an on-board ~10 Ohm current limiting resistance and a Schottky diode. The antenna must not draw more than 60 mA. The external source of antenna bias voltage should not have any noise in the GPS band (centered at 1.57542 GHz).

## 2 GPS 15X WIRE DESCRIPTIONS AND WIRING DIAGRAMS

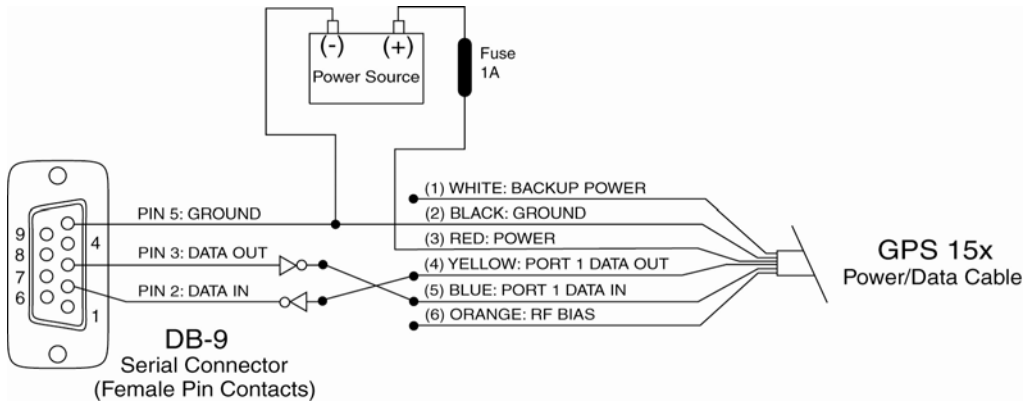
The GPS 15x-F uses a six-contact flex circuit LIF connector. The GPS 15x-W uses a six-pin JST connector (mating wire harness included). (See section 1.5.1.3 for details.)

### 2.1 GPS 15X WIRE DESCRIPTIONS

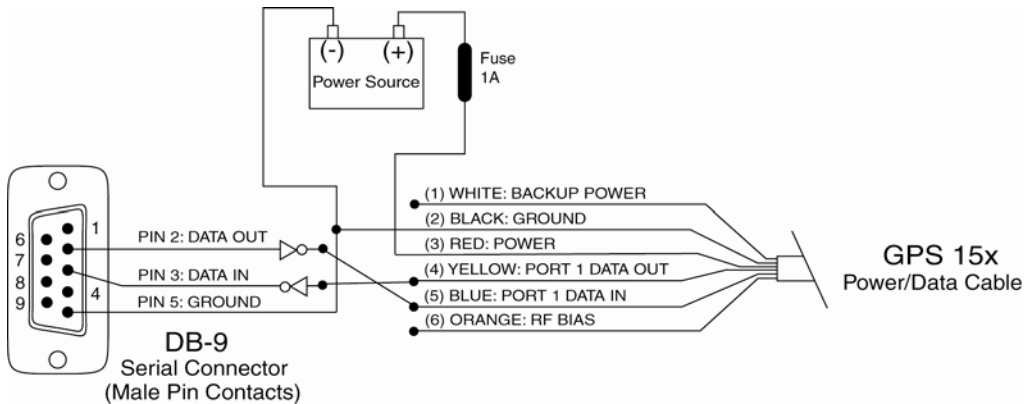
GPS 15x Pin #	Signal Name	Description
1	BACKUP POWER	This input provides external power to maintain the battery-backed SRAM and real-time clock. This enables the user to provide backup power if needed for longer than the on-board rechargeable battery will provide (roughly 21 days). Input voltage must be between +2.8 and +3.4 Vdc.
2	GROUND	Power and Signal Ground
3	POWER	Regulated +3.3 Vdc input. Peak operating current is 75mA. Nominal operating current is 66mA.
4	PORT 1 DATA OUT	Asynchronous Serial Output. CMOS compatible output designed to interface directly with a UART on a host system or host microprocessor. Provides serial data which is formatted per "NMEA 0183, Version 2.30". The baud rate is set during production to 4800, but other rates are available.
5	PORT 1 DATA IN	First Asynchronous Serial Input. CMOS compatible input designed to interface directly with a UART on a host system or host microprocessor. Input voltage range of $0 < V < 3.3$ .
6	RF BIAS	This input allows the user to externally apply an RF bias to the active antenna. By default, the unit will use an internal voltage to power the active antenna. If an external voltage greater than the internal voltage of the center pin of the antenna (between 4.0 Vdc and 8.0 Vdc) is detected at this input, the GPS 15x will automatically changes to the external voltage. The antenna must not draw more than 60 mA.

**Table 2: GPS 15x Wire Descriptions**

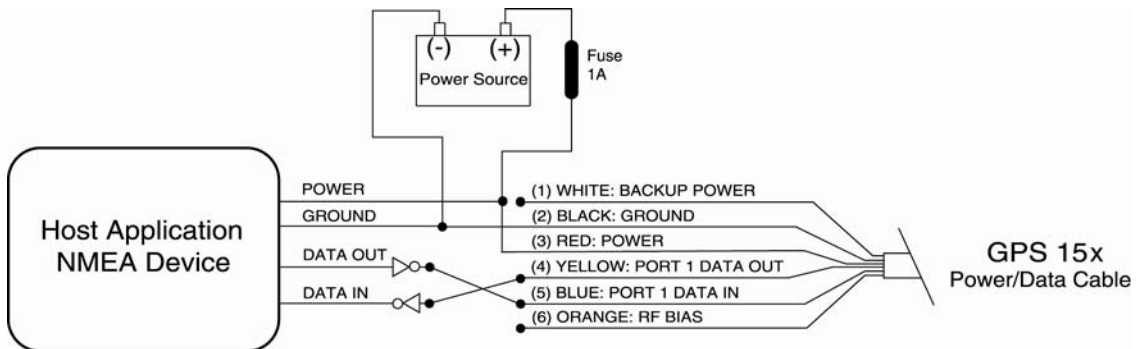
## 2.2 GPS 15X WIRING DIAGRAMS



**Figure 1: Computer Serial Port Interconnection**

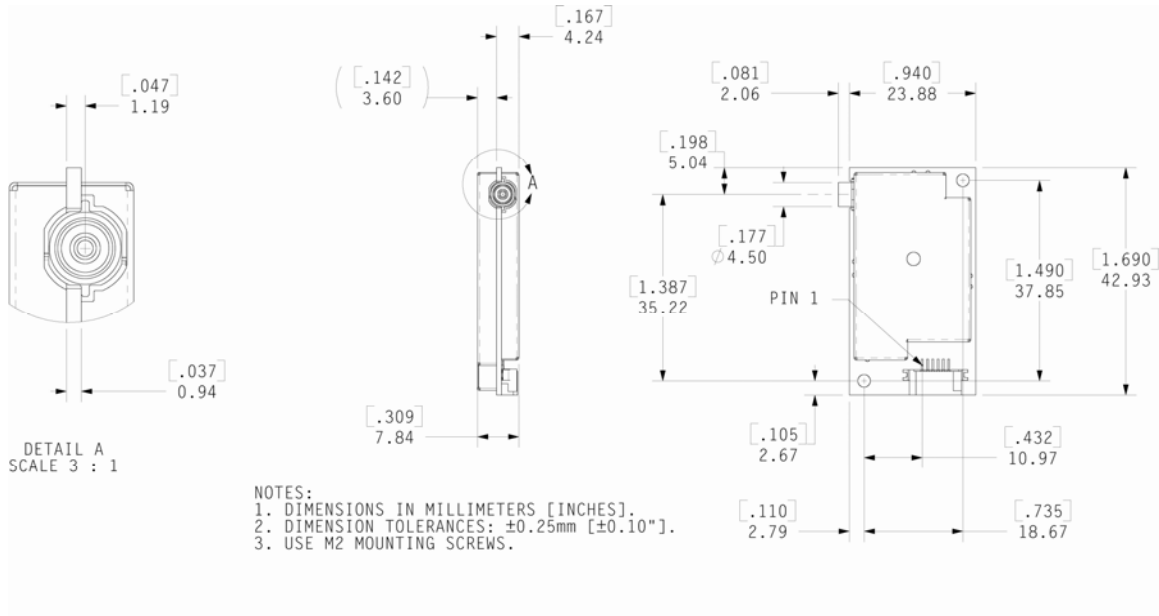


**Figure 2: PDA Serial Port Interconnection**

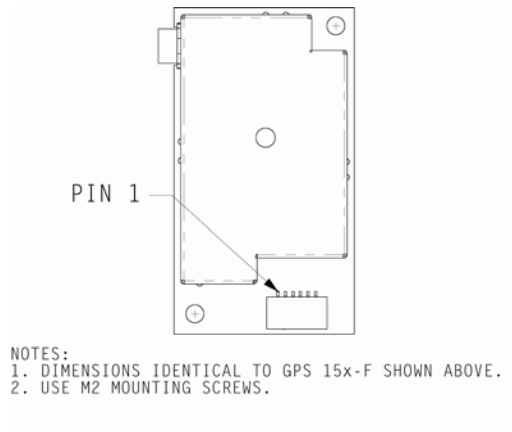


**Figure 3: Basic NMEA 0183 Device Interconnection**

### 3 MECHANICAL CHARACTERISTICS & MOUNTING



**Figure 4: GPS 15x-F Dimensions**



**Figure 5: GPS 15x-W Outline Drawing**

## 4 GPS 15X SOFTWARE INTERFACE

The interface protocol design of the GPS 15x is based on the National Marine Electronics Association's NMEA 0183 ASCII interface specification. This standard is fully defined in *NMEA 0183, Version 2.30*. Copies may be obtained from NMEA, [www.nmea.org](http://www.nmea.org).

In addition to the standard NMEA 0183 sentences, the GPS 15x may also be configured to transmit information over their serial interface using NMEA 0183 compliant Garmin proprietary sentences. These proprietary sentences begin with the characters, "\$PGRM", instead of the characters "\$G" that are typical of the standard NMEA 0183 sentences. The characters "\$P" indicate that the sentence is a proprietary implementation and the characters "GRM" indicate that it is Garmin's proprietary sentence. The character (or characters) that follow the characters "\$PGRM" uniquely identifies that particular Garmin proprietary sentence.

It is also possible to configure the GPS 15x to transmit binary data information over their serial interface. See [Appendix B: Garmin Binary Output Format](#) for details.

The following sections describe the NMEA 0183 data format of each sentence transmitted and received by the GPS 15x.

### 4.1 RECEIVED NMEA 0183 SENTENCES

The following paragraphs define the sentences that can be received on the GPS sensors' port. Null fields in the configuration sentence indicate no change in the particular configuration parameter. All sentences received by the GPS sensor must be terminated with <CR><LF>, the ASCII characters for carriage return (0D hexadecimal) and line feed (0A hexadecimal). The checksum \*hh is used for parity checking data and is not required, but is recommended for use in environments containing high electromagnetic noise. It is generally not required in normal PC environments. When used, the parity bytes (hh) are the ASCII representation of the upper and lower nibbles of the exclusive-or (XOR) parity, computed over all of the characters between the "\$" and "\*" characters, non-inclusive. The hex representation must be a capital letter, such as 3D instead of 3d. Sentences may be truncated by <CR><LF> after any data field and valid fields up to that point will be acted on by the sensor.

#### 4.1.1 Almanac Information (ALM)

The \$GPALM sentence can be used to initialize the GPS sensor's stored almanac information in the event of non-volatile memory loss or after storing longer than six months without tracking GPS satellites.

\$GPALM,<1>,<2>,<3>,<4>,<5>,<6>,<7>,<8>,<9>,<10>,<11>,<12>,<13>,<14>,<15>\*hh<CR><LF>

<1>	Total number of ALM sentences to be transmitted by the GPS sensor during almanac download. This field can be null or any number when sending almanac to the GPS sensor.
<2>	Number of current ALM sentence. This field can be null or any number when sending almanac to the GPS sensor.
<3>	Satellite PRN number, 01 to 32
<4>	GPS week number
<5>	SV health, bits 17–24 of each almanac page
<6>	Eccentricity
<7>	Almanac reference time
<8>	Inclination angle
<9>	Rate of right ascension
<10>	Root of semi major axis
<11>	Omega, argument of perigee
<12>	Longitude of ascension node
<13>	Mean anomaly
<14>	af0 clock parameter
<15>	af1 clock parameter

#### 4.1.2 Sensor Initialization Information (PGRMI)

The \$PGRMI sentence provides information used to initialize the GPS sensor's set position and time used for satellite acquisition. Receipt of this sentence by the GPS sensor causes the software to restart the satellite acquisition process. If there are no errors in the sentence, it will be echoed upon receipt. If an error is detected, the echoed PGRMI sentence will contain the current default values. Current PGRMI defaults (with the exception of the Receiver Command, which is a command rather than a mode) can also be obtained by sending \$PGRMIE to the GPS sensor.

\$PGRMI,<1>,<2>,<3>,<4>,<5>,<6>,<7>\*hh<CR><LF>

<1>	Latitude, ddmm.mmm format (leading zeros must be transmitted)
<2>	Latitude hemisphere, N or S
<3>	Longitude, dddmm.mmm format (leading zeros must be transmitted)
<4>	Longitude hemisphere, E or W
<5>	Current UTC date, ddmmyy format
<6>	Current UTC time, hhmmss format
<7>	Receiver Command, A = Auto Locate, R = Unit Reset

#### 4.1.3 Sensor Configuration Information (PGRMC)

The \$PGRMC sentence provides information used to configure the GPS sensor's operation. Configuration parameters are stored in non-volatile memory and retained between power cycles. The GPS sensor will echo this sentence upon its receipt if no errors are detected. If an error is detected, the echoed PGRMC sentence will contain the current default values. Current default values can also be obtained by sending \$PGRMCE to the GPS sensor.

\$PGRMC,<1>,<2>,<3>,<4>,<5>,<6>,<7>,<8>,<9>,<10>,<11>,<12>,<13>,<14>\*hh<CR><LF>

<1>	Fix mode, A = Automatic, 3 = 3D exclusively
<2>	Altitude above/below mean sea level, -1500.0 to 18000.0 meters
<3>	Earth datum index. If the user datum index (96) is specified, fields <4> through <8> must contain valid values. Otherwise, fields <4> through <8> must be null. Refer to Appendix A: Earth Datum List for a list of earth datum and the corresponding earth datum index.
<4>	User earth datum semi-major axis, 6360000.000 to 6380000.000 meters (.001 meters resolution)
<5>	User earth datum inverse flattening factor, 285.0 to 310.0 (10 <sup>-9</sup> resolution)
<6>	User earth datum delta x earth centered coordinate, -5000.0 to 5000.0 meters (1 meter resolution)
<7>	User earth datum delta y earth centered coordinate, -5000.0 to 5000.0 meters (1 meter resolution)
<8>	User earth datum delta z earth centered coordinate, -5000.0 to 5000.0 meters (1 meter resolution)
<9>	Differential mode, A = Automatic (output DGPS data when available, non-DGPS otherwise), D = Differential exclusively (output only differential fixes)
<10>	NMEA 0183 Baud rate, 3 = 4800, 4 = 9600, 5 = 19200, 8 = 38400
<11>	No Effect (This field is not used on the GPS 15x and is included only for compatibility with other models.)
<12>	No Effect (This field is not used on the GPS 15x and is included only for compatibility with other models.)
<13>	No Effect (This field is not used on the GPS 15x and is included only for compatibility with other models.)
<14>	Dead reckoning valid time 1 to 30 seconds

All configuration changes take effect after receipt of a valid value except baud rate. Baud rate changes take effect on the next power cycle or an external reset event.

#### 4.1.4 Additional Sensor Configuration Information (PGRMC1)

The \$PGRMC1 sentence provides additional information used to configure the GPS sensor operation. Configuration parameters are stored in non-volatile memory and retained between power cycles. The GPS sensor will echo this sentence upon its receipt if no errors are detected. If an error is detected, the echoed PGRMC1 sentence will contain the current default values. Current default values can also be obtained by sending \$PGRMC1E to the GPS sensor.

\$PGRMC1,<1>,<2>,<3>,<4>,<5>,<6>,<7>,<8>,<9>,<10>,<11>,<12>,<13>\*hh<CR><LF>

<1>	NMEA 0183 output time 1 to 900 (sec). Not applicable to GPS 18x-5Hz, which always outputs data at 5 Hz (200 ms)
<2>	Garmin Binary Output, 1 = Off, 2 = On.
<3>	No Effect (This field is not used on the GPS 15x and is included only for compatibility with other models.)
<4>	No Effect (This field is not used on the GPS 15x and is included only for compatibility with other models.)
<5>	No Effect (This field is not used on the GPS 15x and is included only for compatibility with other models.)
<6>	No Effect (This field is not used on the GPS 15x and is included only for compatibility with other models.)
<7>	NMEA 0183 version, 1 = version 2.20 (factory default), 2 = version 2.30
<8>	DGPS WAAS mode, W = WAAS Enabled, N = WAAS Disabled, A = Automatic, R = RTCM (DO NOT USE – not supported on the GPS 15x.)
<9>	Power Save Mode, P = Power Save mode, N = Normal
<10>	No Effect (This field is not used on the GPS 15x and is included only for compatibility with other models.)
<11>	No Effect (This field is not used on the GPS 15x and is included only for compatibility with other models.)
<12>	No Effect (This field is not used on the GPS 15x and is included only for compatibility with other models.)
<13>	No Effect (This field is not used on the GPS 15x and is included only for compatibility with other models.)
<14>	No Effect (This field is not used on the GPS 15x and is included only for compatibility with other models.)

Configuration changes take effect immediately, with the exception of Garmin Binary Output, which takes effect on the next power cycle or a reset event. Send the sentence “\$PGRMI,,,,,,R” to command a reset (refer to section 4.1.2 Sensor Initialization Information (PGRMI)). If the GPS sensor is in the binary data mode, it is necessary to send the following eight-byte data stream to temporarily change the data format to NMEA 0183. Then follow by sending a PGRMC1 sentence that turns off the Garmin Binary Output format:

10 0A 02 26 00 CE 10 03 (Hexadecimal)

#### 4.1.5 Output Sentence Enable/Disable (PGRMO)

The \$PGRMO sentence provides the ability to enable and disable specific output sentences. The following sentences are enabled at the factory: GPGLA, GPGLSA, GPGLSV, GPRMC, and PGRMT.

\$PGRMO,<1>,<2>\*hh<CR><LF>

<1>	Target sentence description (for example, PGRMT, GPGLSV, etc.)
<2>	Target sentence mode, where: 0 = Disable specified sentence, 1 = enable specified sentence, 2 = Disable all output sentences, 3 = Enable all output sentences (except GPALM), 4 = Restore factory default output sentences

The following notes apply to the PGRMO input sentence:

If the target sentence mode is “2” (Disable all), “3” (Enable all), or “4” (Restore defaults), the target sentence description is not checked for validity. In this case, an empty field is allowed (for example, \$PGRMO,,3), or the mode field may contain from 1 to 5 characters.

If the target sentence mode is “0” (Disable) or “1” (Enable), the target sentence description field must be an identifier for one of the sentences that can be output by the GPS sensor.

If either the target sentence mode field or the target sentence description field is not valid, the PGRMO sentence will have no effect.

\$PGRMO,GPALM,1 will cause the GPS sensor to transmit all stored almanac information. All other NMEA 0183 sentence transmission will be suspended temporarily.



\$PGRMO,,G will cause the COM port to change to Garmin Data Transfer format for the duration of the power cycle. The Garmin mode is required for GPS 15x series product software updates.

## 4.2 TRANSMITTED NMEA 0183 SENTENCES

The subsequent paragraphs define the sentences that can be transmitted on COM 1 by the GPS sensor.

### 4.2.1 Sentence Transmission

Sentences are transmitted with respect to the user selected baud rate.

The GPS sensor will transmit each sentence (except where noted in particular transmitted sentence descriptions) at a periodic rate based on the user selected baud rate and user selected output sentences. The GPS sensor will transmit the selected sentences contiguously. The length of the transmission can be determined by the following equation and Tables 2 and 3:

$$\text{length of transmission} = \frac{\text{total characters to be transmitted}}{\text{characters transmitted per second}}$$

Sentence	Output by Default?	Maximum Characters
GPRMC	✓	74
GPGGA	✓	82
GPGSA	✓	66
GPGSV	✓	70
PGRME		35
GPGLL		44
GPVTG		42
PGRMV		32
PGRMF		82
PGRMB		40
PGRMM		
PGRMT	Once per minute	50

**Table 3: NMEA 0183 Output Sentence Order and Size**

Baud	Characters per Second
4800	480
9600	960
19200	1920
38400	3840

**Table 4: Characters per Second for Available Baud Rates**

The maximum number of fields allowed in a single sentence is 82 characters including delimiters. Values in the table include the sentence start delimiter character "\$" and the termination delimiter <CR><LF>. The factory set defaults result in a once per second transmission at the NMEA 0183 specification transmission rate of 4800 baud.

### 4.2.2 Transmitted Time

The GPS sensor outputs Coordinated Universal Time (UTC) date and time of day in the transmitted sentences. Before the initial position fix, the on-board clock provides the date and time of day. After the initial position fix, the date and time of day are calculated using GPS satellite information and are synchronized with the closest UTC second boundary.

The GPS sensor uses information obtained from the GPS satellites to add or delete UTC leap seconds and correct the transmitted date and time of day. The transmitted date and time of day for leap second correction follow the guidelines in "National Institute of Standards and Technology Special Publication 432 (Revised 1990)" (for sale by the Superintendent of Documents, U.S. Government Printing Office, Washington, D.C., 20402, U.S.A.).

When a positive leap second is required, one second is inserted at the beginning of the first hour (0h 0m 0s) of the day that the positive leap is occurring. The minute containing the leap second is 61 seconds long. The GPS sensor would have transmitted this information for the leap second added December 31, 1998 as follows:

```
$GPRMC,235959,A,3851.3651,N,09447.9382,W,000.0,221.9,071103,003.3,E*69
$GPRMC,000000,A,3851.3651,N,09447.9382,W,000.0,221.9,081103,003.3,E*67
$GPRMC,000000,A,3851.3651,N,09447.9382,W,000.0,221.9,081103,003.3,E*67
$GPRMC,000001,A,3851.3651,N,09447.9382,W,000.0,221.9,081103,003.3,E*66
```

If a negative leap second should be required, one second will be deleted at the end of some UTC month. The minute containing the leap second will be only 59 seconds long. In this case, the GPS sensor will not transmit the time of day 0h 0m 0s (the “zero” second) for the day from which the leap second is removed.

```
$GPRMC,235959,A,3851.3650,N,09447.9373,W,000.0,000.0,111103,003.3,E*69
$GPRMC,000001,A,3851.3650,N,09447.9373,W,000.0,000.0,121103,003.3,E*6A
$GPRMC,000002,A,3851.3650,N,09447.9373,W,000.0,000.0,121103,003.3,E*69
```

### 4.2.3 Global Positioning System Almanac Data (ALM)

Almanac sentences are not normally transmitted. Send the GPS sensor a \$PGRMO,GPALM,1 command to initiate almanac transmission. Upon receipt of this command, the GPS sensor will transmit available almanac information on GPALM sentences. During the transmission of almanac sentences, other NMEA 0183 data output is suspended temporarily.

```
$GPALM,<1>,<2>,<3>,<4>,<5>,<6>,<7>,<8>,<9>,<10>,<11>,<12>,<13>,<14>,<15>*hh<CR><LF>
```

<field information> can be found in section [4.1.1 Almanac Information \(ALM\)](#).

### 4.2.4 Global Positioning System Fix Data (GGA)

```
$GPGGA,<1>,<2>,<3>,<4>,<5>,<6>,<7>,<8>,<9>,M,<10>,M,<11>,<12>*hh<CR><LF>
```

<1>	UTC time of position fix, hhmmss format
<2>	Latitude, ddmm.mmmm format (leading zeros will be transmitted)
<3>	Latitude hemisphere, N or S
<4>	Longitude, dddmm.mmmm format (leading zeros will be transmitted)
<5>	Longitude hemisphere, E or W
<6>	GPS quality indication, 0 = fix not available, 1 = Non-differential GPS fix available, 2 = Differential GPS (WAAS) fix available, 6 = Estimated
<7>	Number of satellites in use, 00 to 12 (leading zeros will be transmitted)
<8>	Horizontal dilution of precision, 0.5 to 99.9
<9>	Antenna height above/below mean sea level, -9999.9 to 99999.9 meters
<10>	Geoidal height, -999.9 to 9999.9 meters
<11>	Null (Differential GPS)
<12>	Null (Differential Reference Station ID)

### 4.2.5 GPS DOP and Active Satellites (GSA)

```
$GPGSA,<1>,<2>,<3>,<3>,<3>,<3>,<3>,<3>,<3>,<3>,<3>,<3>,<3>,<3>,<3>,<4>,<5>,<6>*hh<CR><LF>
```

<1>	Mode, M = Manual, A = Automatic
<2>	Fix type, 1 = not available, 2 = 2D, 3 = 3D
<3>	PRN number, 01 to 32, of satellite used in solution, up to 12 transmitted (leading zeros will be transmitted)
<4>	Position dilution of precision, 0.5 to 99.9
<5>	Horizontal dilution of precision, 0.5 to 99.9
<6>	Vertical dilution of precision, 0.5 to 99.9

#### 4.2.6 GPS Satellites in View (GSV)

\$GPGSV,<1>,<2>,<3>,<4>,<5>,<6>,<7>,...<4>,<5>,<6>,<7>\*hh<CR><LF>

<1>	Total number of GSV sentences to be transmitted
<2>	Number of current GSV sentence
<3>	Total number of satellites in view, 00 to 12 (leading zeros will be transmitted)
<4>	Satellite PRN number, 01 to 32 (leading zeros will be transmitted)
<5>	Satellite elevation, 00 to 90 degrees (leading zeros will be transmitted)
<6>	Satellite azimuth, 000 to 359 degrees, true (leading zeros will be transmitted)
<7>	Signal to noise ratio (C/No) 00 to 99 dB (leading zeros will be transmitted)

**Note:** Items <4>,<5>,<6>, and <7> repeat for each satellite in view to a maximum of four (4) satellites per sentence. Additional satellites in view information must be sent in subsequent bursts of NMEA 0183 data. These fields will be null if unused.

#### 4.2.7 Recommended Minimum Specific GPS/TRANSIT Data (RMC)

\$GPRMC,<1>,<2>,<3>,<4>,<5>,<6>,<7>,<8>,<9>,<10>,<11>,<12>\*hh<CR><LF>

<1>	UTC time of position fix, hhmmss format
<2>	Status, A = Valid position, V = NAV receiver warning
<3>	Latitude, ddmm.mmmm format (leading zeros will be transmitted)
<4>	Latitude hemisphere, N or S
<5>	Longitude, dddmm.mmmm format (leading zeros will be transmitted)
<6>	Longitude hemisphere, E or W
<7>	Speed over ground, 000.0 to 999.9 knots (leading zeros will be transmitted)
<8>	Course over ground, 000.0 to 359.9 degrees, true (leading zeros will be transmitted)
<9>	UTC date of position fix, ddmmyy format
<10>	Magnetic variation, 000.0 to 180.0 degrees (leading zeros will be transmitted)
<11>	Magnetic variation direction, E or W (westerly variation adds to true course)
<12>	Mode indicator (only output if NMEA 0183 version 2.30 active), A = Autonomous, D = Differential, E + Estimated, N = Data not valid

#### 4.2.8 Track Made Good and Ground Speed (VTG)

\$GPVTG,<1>,T,<2>,M,<3>,N,<4>,K,<5>\*hh<CR><LF>

<1>	True course over ground: 000 to 359 degrees (leading zeros will be transmitted)
<2>	Magnetic course over ground: 000 to 359 degrees (leading zeros will be transmitted)
<3>	Speed over ground: 000.0 to 999.9 knots (leading zeros will be transmitted)
<4>	Speed over ground: (leading zeros will be transmitted)
<5>	Mode indicator (only output if NMEA 0183 version 2.30 active), A = Autonomous, D = Differential, E = Estimated, N = Data not valid

#### 4.2.9 Geographic Position (GLL)

\$GPGLL,<1>,<2>,<3>,<4>,<5>,<6>,<7>\*hh<CR><LF>

<1>	Latitude, ddmm.mmmm format (leading zeros must be transmitted)
<2>	Latitude hemisphere, N or S
<3>	Longitude, dddmm.mmmm format (leading zeros must be transmitted)
<4>	Longitude hemisphere, E or W
<5>	UTC time of position fix, hhmmss format
<6>	Status, A = Valid position, V = NAV receiver warning
<7>	Mode indicator (only output if NMEA 0183 version 2.30 active), A = Autonomous, D = Differential (WAAS), E = Estimated, N = Data not valid

#### 4.2.10 Estimated Error Information (PGRME)

\$PGRME,<1>,M,<2>,M,<3>,M\*hh<CR><LF>

<1>	Estimated horizontal position error (HPE), 0.0 to 999.9 meters
<2>	Estimated vertical position error (VPE), 0.0 to 999.9 meters
<3>	Estimated position error (EPE), 0.0 to 999.9 meters

#### 4.2.11 GPS Fix Data Sentence (PGRMF)

\$PGRMF,<1>,<2>,<3>,<4>,<5>,<6>,<7>,<8>,<9>,<10>,<11>,<12>,<13>,<14>,<15>\*hh<CR><LF>

<1>	GPS week number (0 to 1023)
<2>	GPS seconds (0 to 604799)
<3>	UTC date of position fix, ddmmyy format
<4>	UTC time of position fix, hhmmss format
<5>	GPS leap second count
<6>	Latitude, ddmm.mmmm format (leading zeros must be transmitted)
<7>	Latitude hemisphere, N or S
<8>	Longitude, dddmm.mmmm format (leading zeros must be transmitted)
<9>	Longitude hemisphere, E or W
<10>	Mode, M = Manual, A = Automatic
<11>	Fix type, 0 = no fix, 1 = 2D fix, 2 = 3D fix
<12>	Speed over ground, 0 to 1851 kilometers/hour
<13>	Course over ground, 0 to 359 degrees, true
<14>	Position dilution of precision, 0 to 9 (rounded to nearest integer value)
<15>	Time dilution of precision, 0 to 9 (rounded to nearest integer value)

#### 4.2.12 Map Datum (PGRMM)

The Garmin Proprietary sentence \$PGRMM gives the name of the map datum currently in use by the GPS sensor. This information is used by the Garmin MapSource real-time plotting application.

\$PGRMM,<1>\*hh<CR><LF>

<1>	Name of map datum currently in use (variable length field, for example, "WGS 84")
-----	---

#### 4.2.13 Sensor Status Information (PGRMT)

The Garmin Proprietary sentence \$PGRMT gives information concerning the status of the GPS sensor. This sentence is transmitted once per minute regardless of the selected baud rate.

\$PGRMT,<1>,<2>,<3>,<4>,<5>,<6>,<7>,<8>,<9>\*hh<CR><LF>

<1>	Product, model and software version (variable length field, for example, "GPS 15x VER 2.05")
<2>	No Effect (This field is not used on the GPS 15x and is included only for compatibility with other models.)
<3>	No Effect (This field is not used on the GPS 15x and is included only for compatibility with other models.)
<4>	No Effect (This field is not used on the GPS 15x and is included only for compatibility with other models.)
<5>	No Effect (This field is not used on the GPS 15x and is included only for compatibility with other models.)
<6>	No Effect (This field is not used on the GPS 15x and is included only for compatibility with other models.)
<7>	No Effect (This field is not used on the GPS 15x and is included only for compatibility with other models.)
<8>	No Effect (This field is not used on the GPS 15x and is included only for compatibility with other models.)
<9>	No Effect (This field is not used on the GPS 15x and is included only for compatibility with other models.)

#### 4.2.14 3D Velocity Information (PGRMV)

\$PGRMV,<1>,<2>,<3>\*hh<CR><LF>

<1>	True east velocity, -514.4 to 514.4 meters/second
<2>	True north velocity, -514.4 to 514.4 meters/second
<3>	Up velocity, -999.9 to 999.9 meters/second

#### 4.2.15 DGPS Beacon Information (PGRMB)

\$PGRMB,<1>,<2>,<3>,<4>,<5>,K,<6>,<7>,<8>\*hh<CR><LF>

<1>	No Effect (This field is not used on the GPS 15x and is included only for compatibility with other models.)
<2>	No Effect (This field is not used on the GPS 15x and is included only for compatibility with other models.)
<3>	No Effect (This field is not used on the GPS 15x and is included only for compatibility with other models.)
<4>	No Effect (This field is not used on the GPS 15x and is included only for compatibility with other models.)
<5>	No Effect (This field is not used on the GPS 15x and is included only for compatibility with other models.)
<6>	No Effect (This field is not used on the GPS 15x and is included only for compatibility with other models.)
<7>	DGPS fix source: W = WAAS, N = No DGPS fix available
<8>	Currently selected DGPS mode as specified by the PGRMC1 sentence of Section 4.1.4: A = Automatic (factory default), W = WAAS only, R = RTCM only (RTCM is not supported on the GPS 15x and should not be used), N = None (No DGPS enabled)

### **APPENDIX A: EARTH DATUM LIST**

The following is a list of the Garmin GPS 15x Earth datum indices and the corresponding earth datum name (including the area of application):

- 0 ADINDAN–Ethiopia, Mali, Senegal, Sudan
- 9 AUSTRALIAN GEODETIC 1984–Australia, Tasmania Island
- 10 ASTRO DOS 71/4–St. Helena Island
- 11 ASTRONOMIC STATION 1952–Marcus Island
- 12 ASTRO B4 SOROL ATOLL–Tern Island
- 13 BELLEVUE (IGN)–Efate and Erromango Islands
- 14 BERMUDA 1957–Bermuda Islands
- 15 BOGOTA OBSERVATORY–Colombia
- 16 CAMPO INCHAUSPE–Argentina
- 17 CANTON ASTRO 1966–Phoenix Islands
- 18 CAPE CANAVERAL–Florida, Bahama Islands
- 19 CAPE–South Africa
- 20 CARTHAGE–Tunisia
- 21 CHATHAM 1971–Chatham Island (New Zealand)
- 22 CHUA ASTRO–Paraguay
- 23 CORREGO ALEGRE–Brazil
- 24 DJAKARTA (BATAVIA)–Sumatra Island (Indonesia)
- 25 DOS 1968–Gizo Island (New Georgia Islands)
- 26 EASTER ISLAND 1967–Easter Island
- 27 EUROPEAN 1950–Austria, Belgium, Denmark, Finland, France, Germany, Gibraltar, Greece, Italy, Luxembourg, Netherlands, Norway, Portugal, Spain, Sweden, Switzerland
- 28 EUROPEAN 1979–Austria, Finland, Netherlands, Norway, Spain, Sweden, Switzerland
- 29 FINLAND HAYFORD 1910–Finland
- 30 GANDAJIKA BASE–Republic of Maldives
- 31 GEODETIC DATUM 1949–New Zealand
- 32 ORDNANCE SURVEY OF GREAT BRITAIN 1936–England, Isle of Man, Scotland, Shetland Islands, Wales

- 33 GUAM 1963–Guam Island
- 34 GUX 1 ASTRO–Guadalcanal Island
- 35 HJORSEY 1955–Iceland
- 36 HONG KONG 1963–Hong Kong
- 37 INDIAN–Bangladesh, India, Nepal
- 38 INDIAN–Thailand, Vietnam
- 39 IRELAND 1965–Ireland
- 40 ISTS O73 ASTRO 1969–Diego Garcia
- 41 JOHNSTON ISLAND 1961–Johnston Island
- 42 KANDAWALA–Sri Lanka
- 43 KERGUELEN ISLAND–Kerguelen Island
- 44 KERTAU 1948–West Malaysia, Singapore
- 45 L.C. 5 ASTRO–Cayman Brac Island
- 46 LIBERIA 1964–Liberia
- 47 LUZON–Mindanao Island
- 48 LUZON–Phillippines (excluding Mindanao Island)
- 49 MAHE 1971–Mahe Island
- 50 MARCO ASTRO–Salvage Islands
- 51 MASSAWA–Eritrea (Ethiopia)
- 52 MERCHICH–Morocco
- 53 MIDWAY ASTRO 1961–Midway Island
- 54 MINNA–Nigeria
- 55 NORTH AMERICAN 1927–Alaska
- 56 NORTH AMERICAN 1927–Bahamas (excluding San Salvador Island)
- 57 NORTH AMERICAN 1927–Central America (Belize, Costa Rica, El Salvador, Guatemala, Honduras, Nicaragua)
- 58 NORTH AMERICAN 1927–Canal Zone
- 59 NORTH AMERICAN 1927–Canada (including Newfoundland Island)
- 60 NORTH AMERICAN 1927–Caribbean (Barbados, Caicos Islands, Cuba, Dominican Republic, Grand Cayman, Jamaica, Leeward Islands, Turks Islands)
- 61 NORTH AMERICAN 1927–Mean Value (CONUS)
- 62 NORTH AMERICAN 1927–Cuba
- 63 NORTH AMERICAN 1927–Greenland (Hayes Peninsula)
- 64 NORTH AMERICAN 1927–Mexico
- 65 NORTH AMERICAN 1927–San Salvador Island
- 66 NORTH AMERICAN 1983–Alaska, Canada, Central America, CONUS, Mexico
- 67 NAPARIMA, BWI–Trinidad and Tobago
- 68 NAHRWAN–Masirah Island (Oman)
- 69 NAHRWAN–Saudi Arabia
- 70 NAHRWAN–United Arab Emirates
- 71 OBSERVATORIO 1966–Corvo and Flores Islands (Azores)

72	OLD EGYPTIAN–Egypt
73	OLD HAWAIIAN–Mean Value
74	OMAN–Oman
75	PICO DE LAS NIEVES–Canary Islands
76	PITCAIRN ASTRO 1967–Pitcairn Island
77	PUERTO RICO–Puerto Rico, Virgin Islands
78	QATAR NATIONAL–Qatar
79	QORNOQ–South Greenland
80	REUNION–Mascarene Island
81	ROME 1940–Sardinia Island
82	RT 90–Sweden
83	PROVISIONAL SOUTH AMERICAN 1956–Bolivia, Chile, Colombia, Ecuador, Guyana, Peru, Venezuela
84	SOUTH AMERICAN 1969–Argentina, Bolivia, Brazil, Chile, Colombia, Ecuador, Guyana, Paraguay, Peru, Venezuela, Trinidad and Tobago
85	SOUTH ASIA–Singapore
86	PROVISIONAL SOUTH CHILEAN 1963–South Chile
87	SANTO (DOS)–Espirito Santo Island
88	SAO BRAZ–Sao Miguel, Santa Maria Islands (Azores)
89	SAPPER HILL 1943–East Falkland Island
90	SCHWARZECK–Namibia
91	SOUTHEAST BASE–Porto Santo and Madeira Islands
92	SOUTHWEST BASE–Faial, Graciosa, Pico, Sao Jorge, and Terceira Islands (Azores)
93	TIMBALAI 1948–Brunei and East Malaysia (Sarawak and Sabah)
94	TOKYO–Japan, Korea, Okinawa
95	TRISTAN ASTRO 1968–Tristan da Cunha
96	User defined earth datum
97	VITI LEVU 1916–Viti Levu Island (Fiji Islands)
98	WAKE-ENIWETOK 1960–Marshall Islands
99	WORLD GEODETIC SYSTEM 1972
100	WORLD GEODETIC SYSTEM 1984
101	ZANDERIJ–Surinam
102	CH-1903–Switzerland
103	Hu-Tzu-Shan
104	Indonesia 74
105	Austria
106	Potsdam
107	Taiwan–modified Hu-Tzu-Shan
108	GDA–Geocentric Datum of Australia
109	Dutch

## **APPENDIX B: GARMIN BINARY OUTPUT FORMAT**

In binary output mode, the GPS 15x will transmit packets once per second. The record contains primarily post-process information such as position and velocity information.

To turn this record on, use the \$PGRMC1 NMEA 0183 sentence as described in [Section 4](#). Refer to the *Garmin Device Interface Specification* found in the Garmin Device Interface SDK for details on how to form and parse Garmin packets, available at [www.garmin.com/support/commProtocol.html](http://www.garmin.com/support/commProtocol.html).

Note that the satellite data information is also enabled when the position record is enabled.

Records sent over RS232 begin with a delimiter byte (10 hex). The second byte identifies the record type (33 hex for a position record and 72 hex for a satellite data record). The third byte indicates the size of the data. The fourth byte is the first byte of data. The data is then followed by a checksum byte, a delimiter byte (10 hex), and an end-of-transmission character (03 hex). Additionally, any DLEs (0x10) that appear between the delimiters are escaped with a second DLE. There is sample code at the end of this section that will strip off the DLEs and ETXs.

RS232 Packet:

- 0x10 (DLE is first byte)
- 0x## (Record ID – single byte)
- 0x## (Number of data bytes – single byte)
- data bytes (See descriptions below)
- 0x## (2's complement of the arithmetic sum of the bytes between the delimiters)
- 0x10 (DLE)
- 0x03 (ETX is last byte)

The data bytes of each packet contain the record specified by the record ID. A description of each record follows.

### **Satellite Data Record**

The satellite data has a record ID of 0x72 with 84 (0x54) data bytes. The data bytes contain data for 12 satellites as described below.

```
typedef struct
{
    uint8    svid; //space vehicle identification (1-32 and 33-64 for
WAAS)
    uint16   snr;   //signal-to-noise ratio
    uint8    elev; //satellite elevation in degrees
    uint16   azmth; //satellite azimuth in degrees
    uint8    status; //status bit-field
} cpo_sat_data;
```

The status bit field represents a set of Booleans described below:

Bit	Meaning when bit is one (1)
0	The unit has ephemeris data for the specified satellite.
1	The unit has a differential correction for the specified satellite.
2	The unit is using this satellite in the solution.

This pattern is repeated for 12 satellites for a total of  $12 \times 7$  bytes = 84 (0x54) bytes.



RS-232 Packet for the Satellite Record:

- 0x10 (DLE is first byte)
- 0x72 (Record ID – single byte)
- 0x54 (Number of data bytes – single byte)
- 12 cpo\_sat\_data records:
  - 0x## (2's complement of the arithmetic sum of the bytes between the delimiters)
  - 0x10 (DLE)
  - 0x03 (ETX is last byte)

### **Position Record**

The Position Record has a record identifier of

```
typedef struct
{
    float    alt;
    float    epe;
    float    eph;
    float    epv;
    int      fix;
    double   gps_tow;
    double   lat;
    double   lon;
    float    lon_vel;
    float    lat_vel;
    float    alt_vel;
    float    msl_hght;
    int      leap_sec;
    long     grmn_days;
} cpo_pvt_data;
```

alt	Ellipsoid altitude (meters)
epe	Estimated position error (meters)
eph	Position error, horizontal (meters)
epv	Position error, vertical (meters)
fix	0 = no fix; 1 = no fix; 2 = 2D; 3 = 3D; 4 = 2D differential; 5 = 3D differential; 6 and greater = not defined
gps_tow	GPS time of week (sec)
lat	Latitude (radians)
lon	Longitude (radians)
lon_vel	Longitude velocity (meters/second)
lat_vel	Latitude velocity (meters/second)
alt_vel	Altitude velocity (meters/second)
msl_hght	Height (mean sea level) (meters)
leap_sec	UTC leap seconds
grmn_days	Garmin days (days since December 31, 1989)

DLE and ETX bytes:

Sample C code to receive the two records should filter DLE and ETX bytes as described below:

```
typedef enum
{
    DAT,
    DLE,
    ETX
} rx_state_type;

/* Declare and initialize static variables */
static char      in_que[ 256 ];
static int       in_que_ptr = 0;
static rx_state_type rx_state = DAT;

.
.
.

void add_to_que( char data )
{
#define DLE_BYTE 0x10
#define ETX_BYTE 0x03

if ( rx_state == DAT )
    {
    if ( data == DLE_BYTE )
        {
            rx_state = DLE;
        }
    else
        {
            in_que[ in_que_ptr++ ] = data;
        }
    }
else if ( rx_state == DLE )
    {
    if ( data == ETX_BYTE )
        {
            rx_state = ETX;
        }
    else
        {
            rx_state = DAT;
            in_que[ in_que_ptr++ ] = data;
        }
    }
else if ( rx_state == ETX )
    {
    if ( data == DLE_BYTE )
        {
            rx_state = DLE;
        }
    }

if ( in_que_ptr > 255 )
    {
    in_que_ptr = 0;
    }
}
```

## **APPENDIX C: CHANGING THE BAUD RATE IN GARMIN MODE**

In certain cases, you may need to change the default baud rate of your Garmin GPS receiver while in Garmin mode. Follow these steps to temporarily change the baud rate.

Refer to the *Garmin Device Interface Specification* found in the Garmin Device Interface SDK for details on how to form and parse Garmin packets, available at [www.garmin.com/support/commProtocol.html](http://www.garmin.com/support/commProtocol.html).

1. Turn off all requests by transmitting packet:

```
id = IOP_RQST_DATA (0x1C)
data = 0 (16-bit unsigned integer )
```

2. The GPS unit will respond by sending a packet with id = IOP\_ACK\_BYTE (0x06)

3. After you receive the above packet, transmit packet:

```
id = IOP_BAUD_RQST_DATA (0x30)
data = baud rate to change to (32-bit unsigned integer; for example, 38400)
```

4. The GPS unit will respond by sending a packet:

```
id = IOP_BAUD_ACPT_DATA (0x31)
data = highest acceptable baud rate closest to what was requested
      (32-bit unsigned integer; for example, 38361 decimal)
```

5. Determine the actual baud rate value from the data sent in step 4. This value will be within +/- 5% of the actual baud rate. (For example, the GPS unit might send a baud rate of 38361, which correlates to a baud rate of 38400).

6. If the baud rate in step 5 is acceptable, transmit packet:

```
id = IOP_ACK_BYTE (0x06)
data = IOP_BAUD_ACPT_DATA (0x31)
```

7. Sleep for a small amount of time, about 100 milliseconds, to make sure the packet in (6) was successfully transmitted to the GPS unit.

8. Close the current connection to the GPS unit and immediately open a new connection with the new baud rate obtained in step 5.

9. Immediately after establishing a connection, transmit packet:

```
id = IOP_CMND_DATA (0x0A)
data = IOP_ACK_PING (0x3A)
```

10. The GPS will respond by sending a packet:

```
id = IOP_ACK_BYTE (0x06)
data = IOP_CMND_DATA (0x0A)
```

11. After you receive the above packet, transmit the same packet in step 9 again.

```
id = IOP_CMND_DATA (0x0A)
data = IOP_ACK_PING (0x3A)
```

12. The GPS will respond again with the same packet in step 10.

```
id = IOP_ACK_BYTE (0x06)
data = IOP_CMND_DATA (0x0A)
```

13. The baud rate has been successfully changed upon receiving the above packet. If the GPS unit does not receive these two IOP\_CMND\_DATA packets within two seconds, it will reset its baud rate to 9600.

## **APPENDIX D: GPS 15x WINDOWS SERIAL MOUSE ISSUE**

**Problem:** It is possible for Windows to incorrectly interpret the NMEA 0183 output of the GPS 15x as the output of a Microsoft Serial BallPoint Mouse. When that happens, Windows loads drivers for the Serial BallPoint Mouse. This causes the cursor to move erratically about the display, clicking, right-clicking, double-clicking, and dragging and dropping displayed items as it goes. On Windows 2000 and Windows XP, you may not experience the problem if you wait until after the computer is booted before connecting the GPS 15x to the serial communications port. This problem is not specific to the GPS 15x. Any NMEA 0183 device connected to a Windows computer's serial port is likely to cause this problem. Below are several possible solutions to this problem.

If you wish to use a different navigation software application with your GPS 15x, you will need to de-select the Garmin Binary Output option that is discussed in Solution 3 below.

**Solution 1:** The easiest solution is to disable the Serial BallPoint mouse in the Device Manager. This solution assumes that you do not need to use a Serial BallPoint mouse with your computer. When erratic mouse movements occur, follow the steps below.

1. Unplug the DB9 connector.
2. Right-click the **My Computer** icon on your desktop, and select **Properties** to open Device Manager.
3. Go to the hardware tab of the resulting pop-up window, and click on the **Device Manager** button.
4. Right-click on **Serial BallPoint Mouse**, and choose the option to **Disable** (NOT uninstall) this device.

**Solution 2:** Do not plug the DB9 connector into the computer until the computer is turned on and the operating system is completely booted up and running. Every time you use the GPS 15x, you will need to start the computer and operating system before making the connection between the GPS 15x and the computer. This solution usually works on Windows 2000 and Windows XP computers.

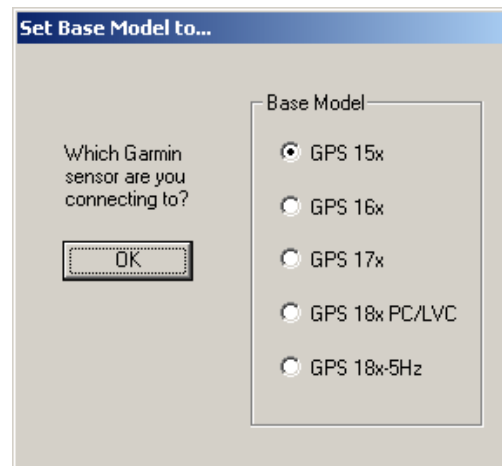
**Solution 3:** Change the default output of the GPS 15x so that it does not automatically send NMEA 0183 data to the computer (change the default configuration to enable Garmin Binary Output). Use the Garmin Sensor Configuration Software, named SNSRXCFG.EXE, provided on the Web site to enable "Garmin Binary Output." To download the software, start at [www.garmin.com/oem](http://www.garmin.com/oem), select the GPS 15x, and then select **Software**.

**NOTE:** By enabling "Garmin Binary Output," the device will no longer appear as a NMEA 0183 device to your computer. As a result, mapping applications that expect to hear NMEA 0183 data will not recognize your GPS 15x until you re-enable the NMEA 0183 output, disabling the Garmin Binary Output in the process.

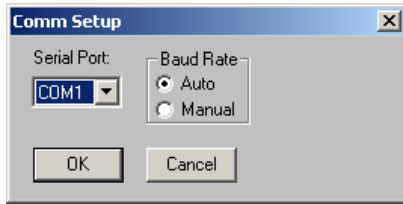
Refer to [Appendix E: Sensor Configuration Software](#) for complete information about downloading the Sensor Configuration Software application.


After the Sensor Configuration Software is installed and running on your computer, follow the steps below to change the default data output of the GPS 15x.

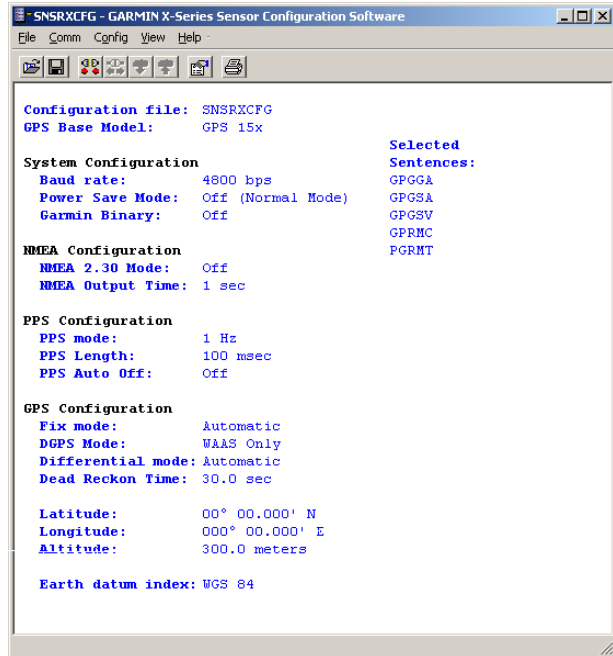
1. Select the **GPS 15x** from the list of sensors, and click **OK**. The Sensor Configuration Software opens with the default configuration file for the GPS 15x, as shown on the next page.
2. Select **Config > Switch to NMEA Mode** (or press the F10 key).
3. Select **Comm > Setup** to open the Comm Setup Window.



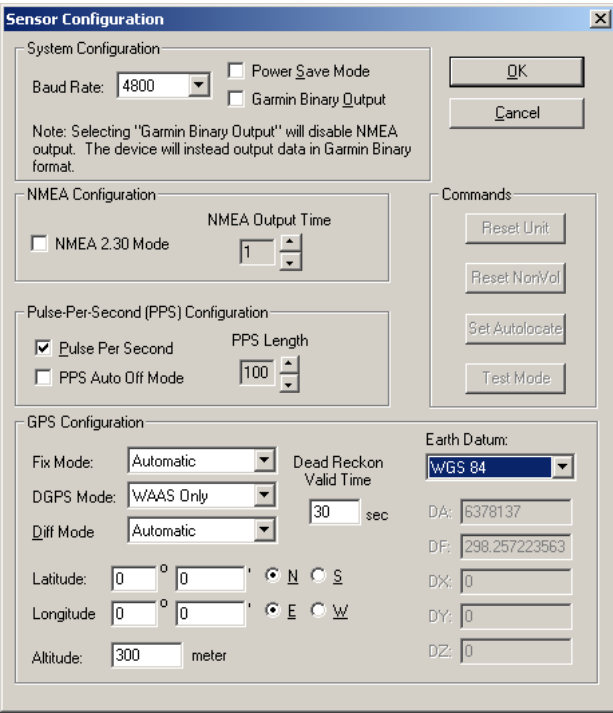
- Select the serial port to which the GPS 15x is connected. Select **Auto** to have the program automatically determine the baud rate, or select **Manual** to manually select the baud rate of the GPS 15x. Click **OK** when done.



- Click the Connect icon , or select **Comm > Connect** to connect to the GPS 15x.
- To view the current programming of the GPS 15x, select **Config > Get Configuration from GPS** (or press the F8 key). The current programming of the GPS 15x is displayed in the window, as shown on the previous page.
- Open the Sensor Configuration Window by pressing the F6 key or selecting **Config > Sensor Configuration**.



- Place a check mark in the box next to **Garmin Binary Output** to change the GPS 15x to Garmin Mode. The unit will keep this change in the programming until you change it again in the software.
- Note:** Selecting **Config > Switch to Garmin Mode** (or pressing the F11 key) only changes the unit to work in Garmin Mode until power is cycled through the unit again. For a more permanent change, refer to step 8 above.
- Click **OK**.



- When you are ready to upload the changes into the GPS 15x, select **Config > Send Configuration to GPS** (or press the F9 key). The new configuration is then loaded into the GPS 15x.
- You may disconnect and close the software when finished. The software configuration can also be saved for future reference.

Refer to [Appendix E: Sensor Configuration Software](#) for complete information about downloading the Sensor Configuration Software application.

## APPENDIX E: SENSOR CONFIGURATION SOFTWARE

SNSRXCFG configures the GPS sensors based on user-selected parameters. Some application features include the ability to download GPS sensor configuration, maintain different configurations in files, and perform GPS sensor configurations quickly with the use of one function key.

This section provides a brief overview of the Sensor Configuration Software. Refer to this section when using the software to configure your Garmin sensor.

### Downloading the Sensor Configuration Software

The Garmin Sensor Configuration Software (SNSRXCFG.exe) is available from the Garmin Web site. To download the software, start at <http://www.garmin.com/oem>, select the GPS 15x, and then select **Software**. The Garmin Sensor Configuration Software (SNSRXCFG.exe) is included in the software update download.


### Selecting a Model

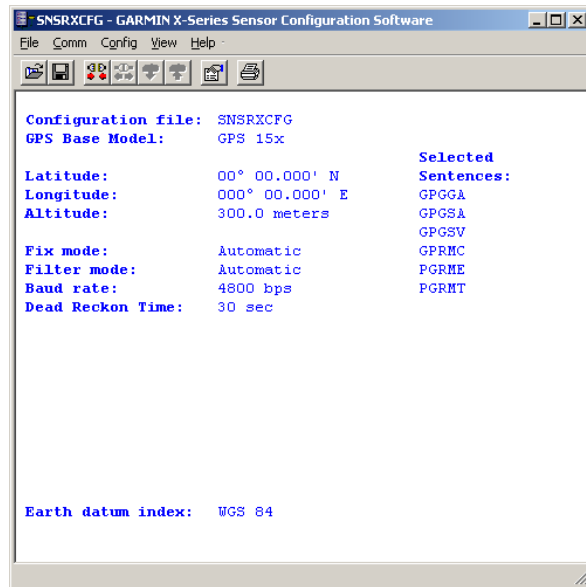
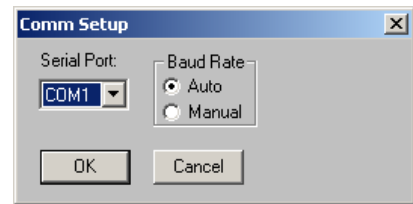
After opening the program (SNSRXCFG.exe), the following screen appears. Select the radio button next to the type of Garmin sensor you are configuring and click OK.

### Connecting to the Sensor

After selecting the type of sensor, the following window opens. This is the Main Interface Screen for the program.

To configure your sensor, you must first connect to the sensor.

1. Select **Config > Switch to NMEA Mode** (or press the F10 key).
2. Select **Comm > Setup** to open the Comm Setup Window.
3. Select the Serial Port to which the sensor is connected. Select **Auto** to have the program automatically determine the Baud Rate, or select **Manual** to manually select the Baud Rate of the GPS 15x. Click **OK** when done.
4. Click the Connect icon , or select **Comm > Connect**.
5. To view the current programming of the sensor, select **Config > Get Configuration from GPS** (or press the F8 key). The current programming of the sensor is displayed in the window shown to the right.

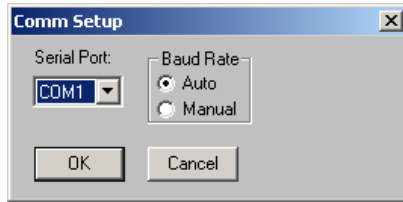


## File Menu

The File Menu allows you to open, save, and print sensor configurations. The items in the File Menu work like most Windows-based programs.

## Comm Menu

The Comm (Communication) Menu allows you to set the port number, baud rate, and then connect and disconnect from the sensor.



**Setup:** Opens the Comm Setup Window, shown to the left. Select the Serial Port to which the sensor is connected from the drop-down list. Then select **Auto** (the program determines the baud rate on its own) or **Manual** (you then enter the baud rate) for the Baud Rate entry.

**Connect:** Select **Connect** to connect to the sensor to change or view the configuration.

**Disconnect:** Select **Disconnect** to disconnect from the sensor.

## Config Menu

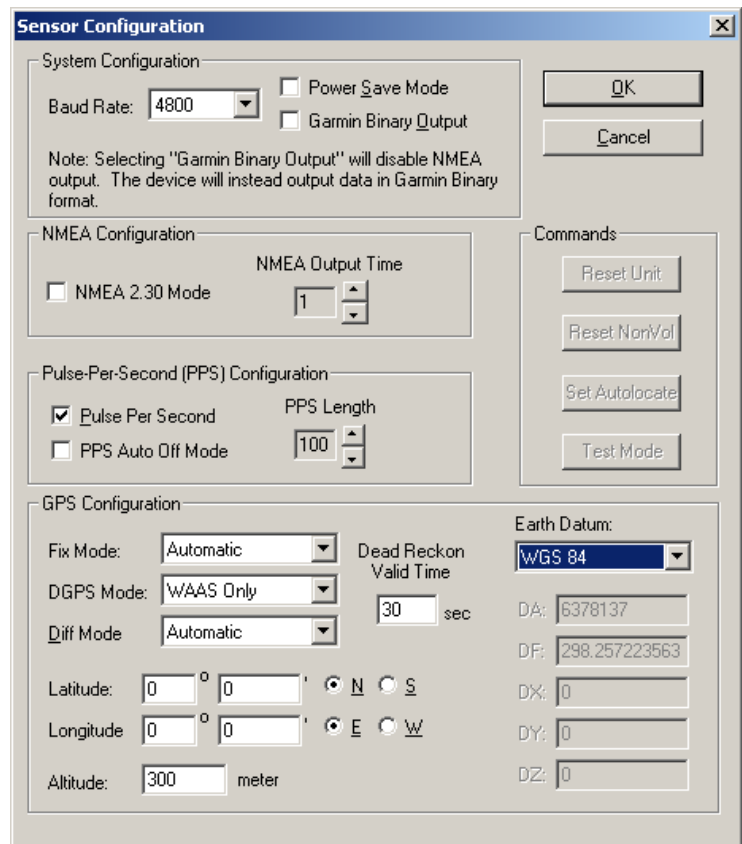
The Config (Configuration) Menu allows you to configure the sensor as it is connected.

**Sensor Configuration (F6):** Opens the Sensor Configuration Window, shown to the right. Many of the fields in this window should be left alone. Please refer to the beginning of this manual for clarification about some of these fields. For the most part, this window is used to enter a new Latitude, Longitude, and Altitude for the sensor. This is especially helpful when you are programming the sensor for use in a particular geographic location.

Resetting the Unit (Reset Unit) performs a reset on the unit, much like cycling the power.

Resetting the non-volatile memory (Reset NonVol) will clear all of the data from the non-volatile memory.

**NMEA Sentence Selections (F7):** Displays the NMEA Sentence Selections Window. If the sentence is enabled, a check mark appears in the box to the left of the sentence name. Click the box to enable or disable to the sentence.



**Get Configuration From GPS (F8):** Retrieves the current programming from the sensor. The programming is then displayed in the Main Interface Window.

**Send Configuration To GPS (F9):** Sends the changes you have made to the programming to the sensor.

**Switch to NMEA Mode (F10):** Switches the unit to NMEA 0183 Mode. The sensor must be in NMEA 0183 Mode in order to establish a serial connection to this software (see “Connecting to the Sensor” above).

**Switch to Garmin Mode (F11):** Switches the unit to Garmin Mode.

**View Menu**

The View Menu allows you to view the NMEA 0183 sentences transmitted by the sensor. You can also customize how the program looks by showing and hiding the Toolbar and Status Bar.

**Help Menu**

The Help Menu displays the software version and copyright information.





**For the latest free software updates (excluding map data) throughout the life of your  
Garmin products, visit the Garmin Web site at [www.garmin.com](http://www.garmin.com).**



© 2009 Garmin Ltd. or its subsidiaries

Garmin International, Inc.  
1200 East 151<sup>st</sup> Street, Olathe, Kansas 66062, U.S.A.

Garmin (Europe) Ltd.  
Liberty House, Hounslow Business Park, Southampton, Hampshire, SO40 9LR, UK

Garmin Corporation  
No. 68, Jangshu 2<sup>nd</sup> Road, Shijr, Taipei County, Taiwan

[www.garmin.com](http://www.garmin.com)

Part Number 190-00266-02 Rev. A