
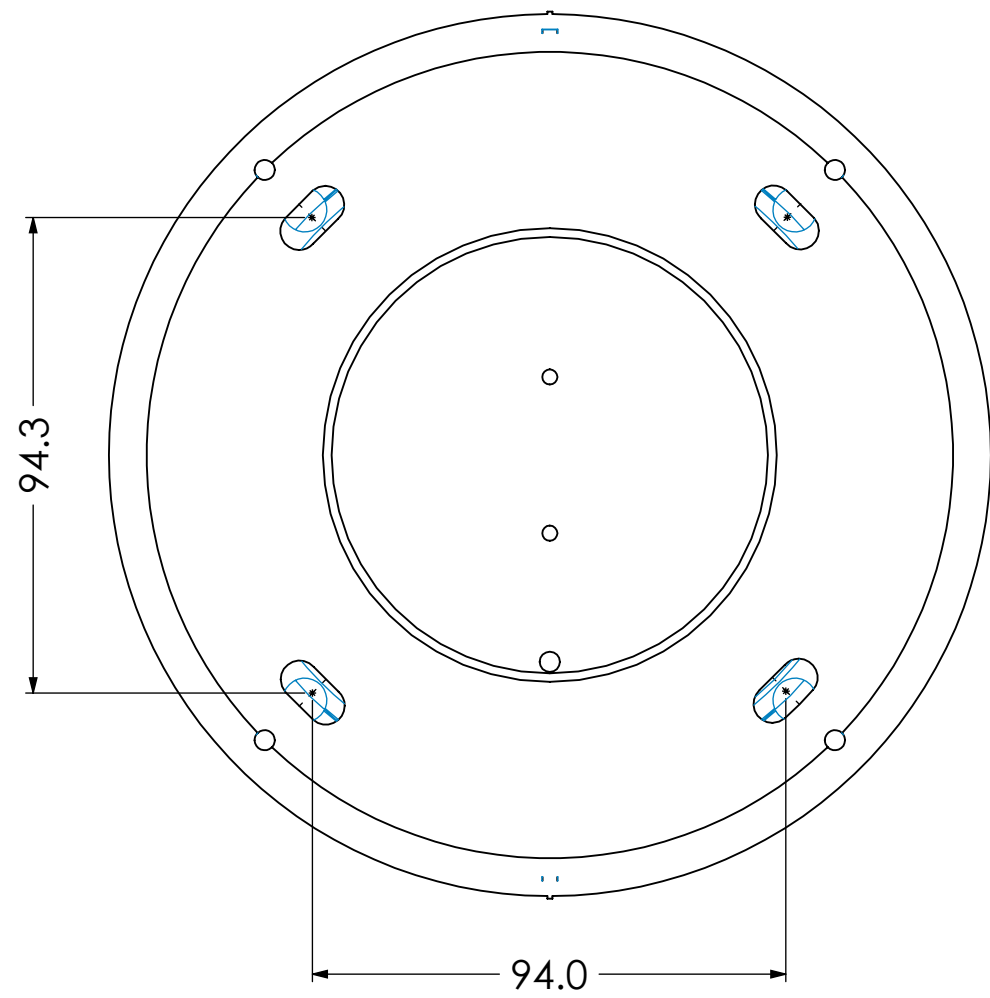
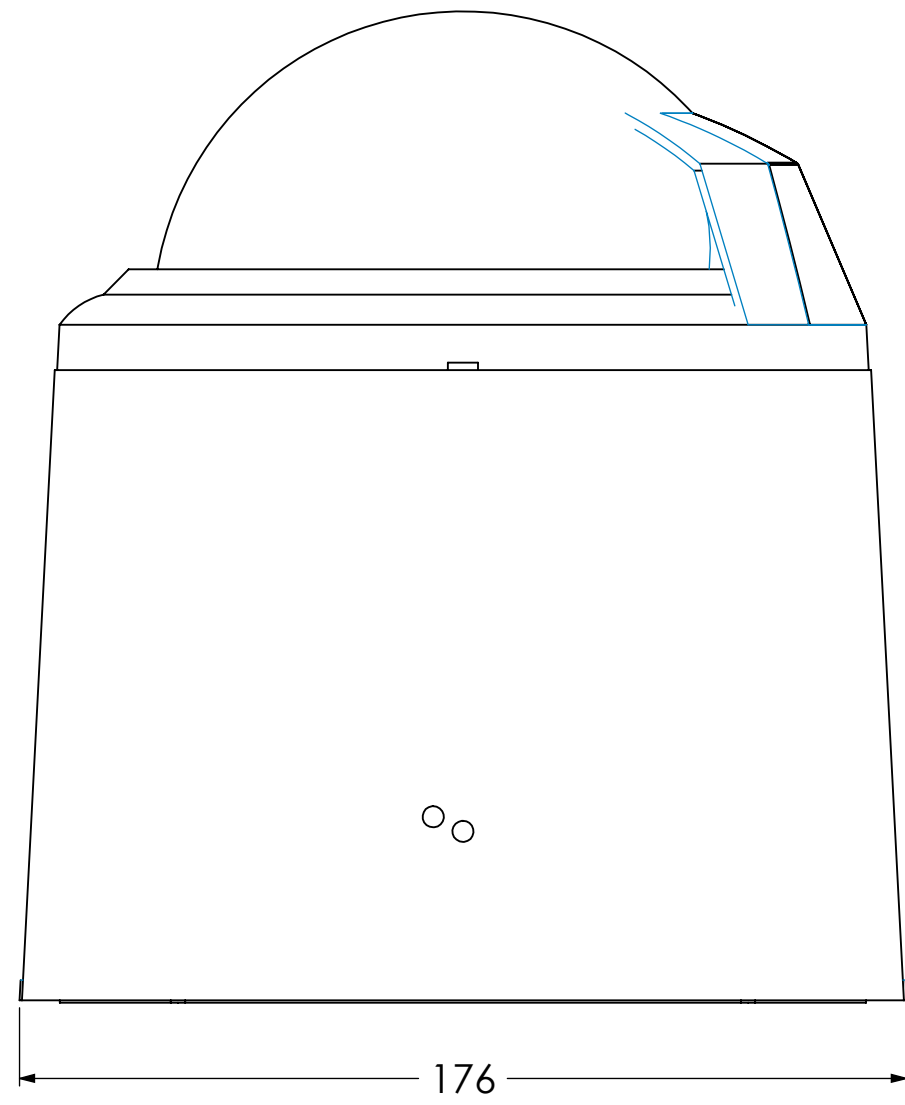
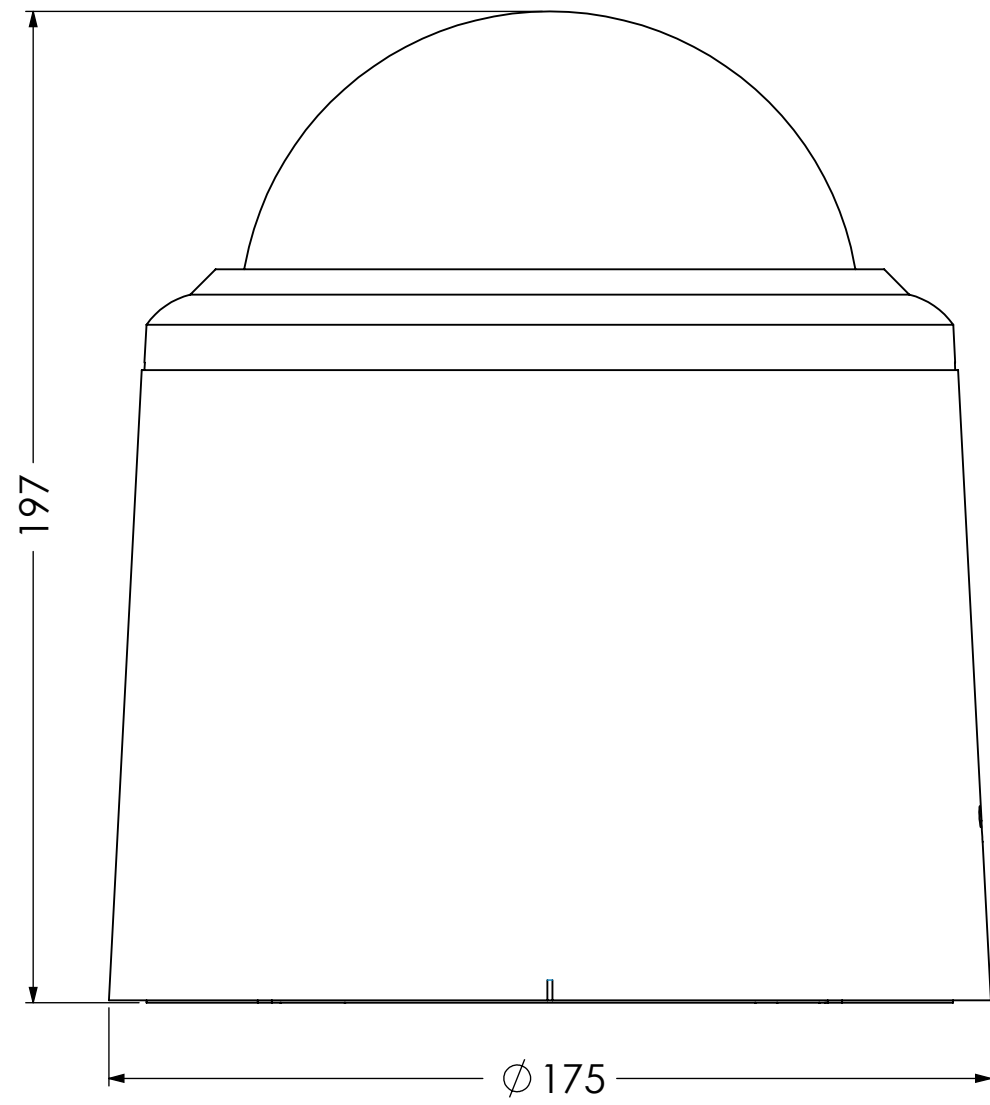


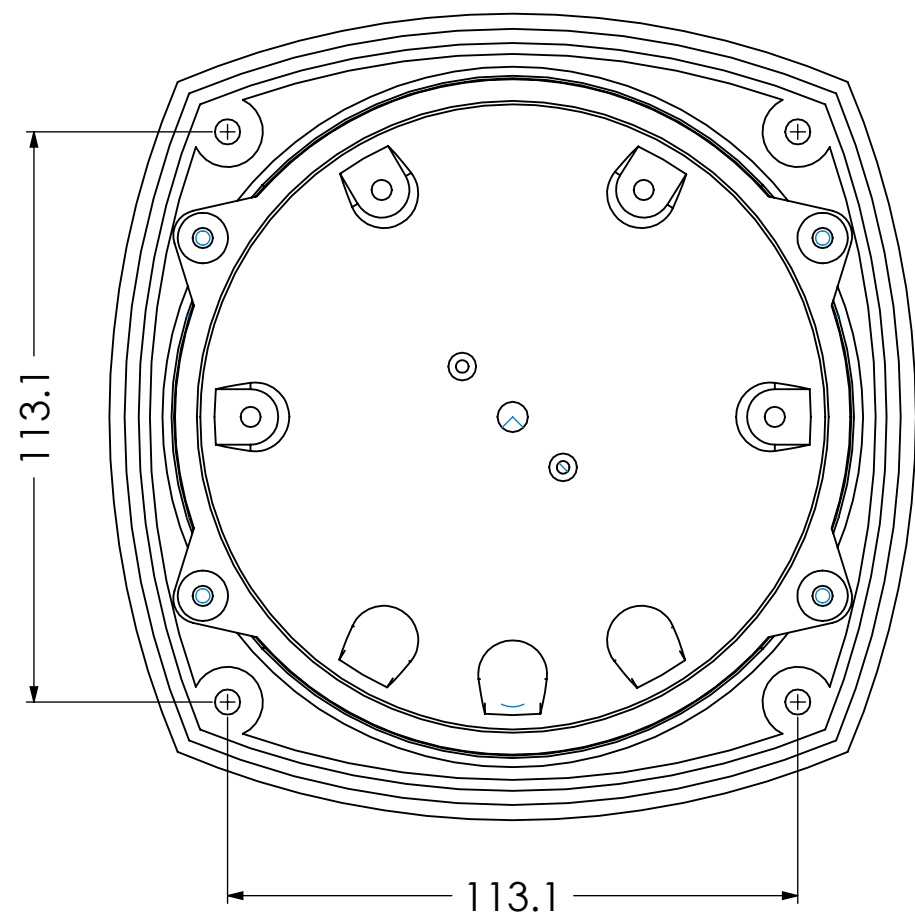
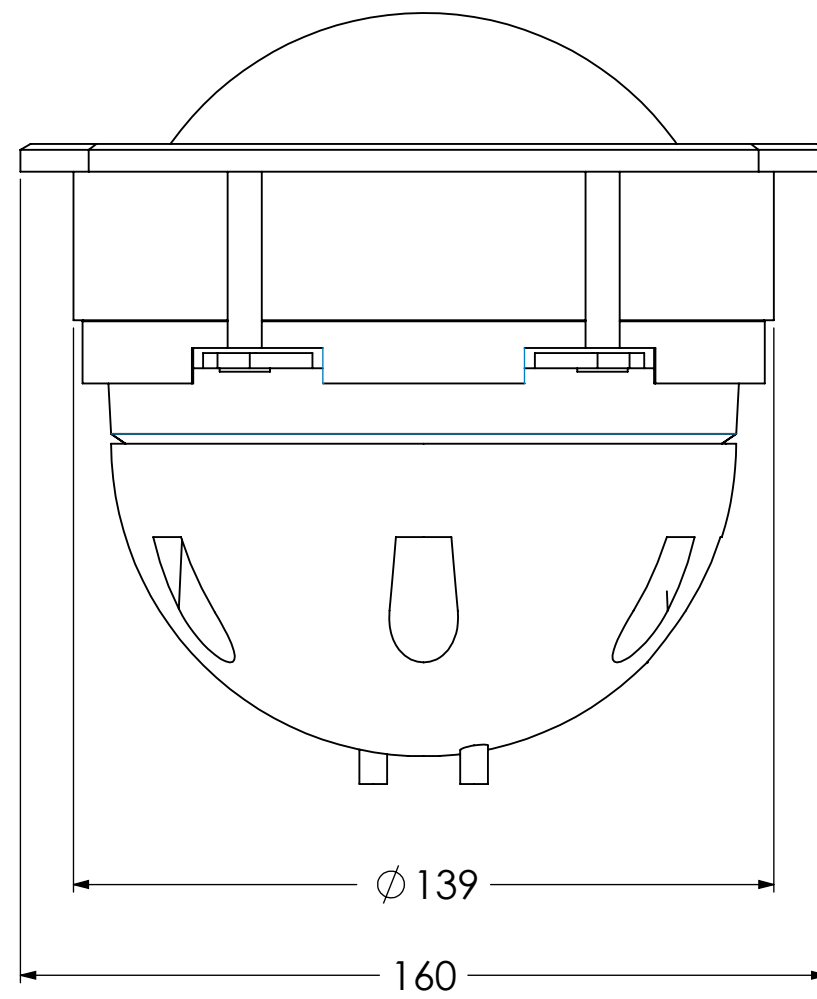
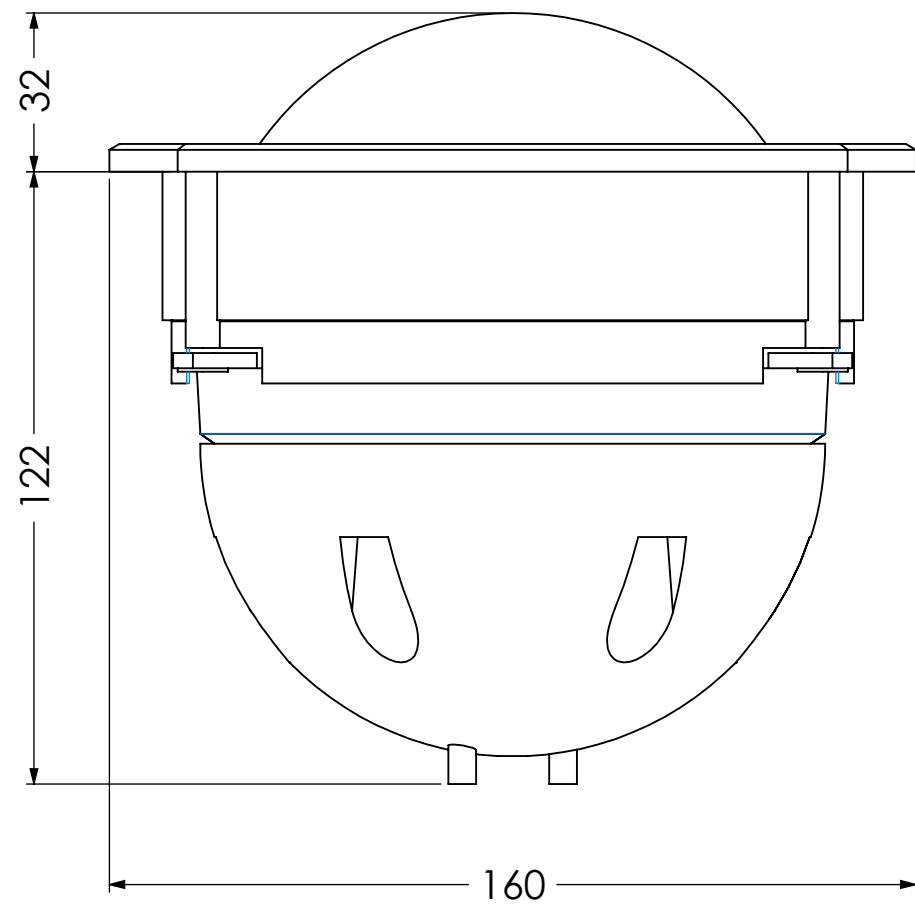
NOTES  
1. Units: mm

<p><b>CONFIDENTIAL</b> This drawing and the specifications contained herein are the property of Garmin Ltd. or its subsidiaries and may not be reproduced or used in whole or in part as the basis for manufacture or sale of products without written permission.</p>		<p><b>GARMIN</b>® Garmin Ltd. or its subsidiaries c/o Garmin International, Inc. 1200 E. 151st Street Olathe, Kansas 66062 USA</p>													
<p>DRAWN</p>	<p>DATE</p>	<p>TITLE <b>125T</b></p>													
<p>TOLERANCE UNLESS OTHERWISE NOTED mm .X± 0.3 .XX± 0.13 Ø&lt;25± 0.08 ANGLES± 1.0°</p>	 THIRD ANGLE	<p>SOURCE FILES (VERSION NUMBERS ARE AUTOMATICALLY GENERATED):</p>	<table border="1"> <tr> <td colspan="2">DWG. NO.</td> <td colspan="2">REV.</td> </tr> <tr> <td>SIZE</td> <td>SCALE</td> <td>SHT</td> <td>OF</td> </tr> <tr> <td></td> <td>2:3</td> <td>2</td> <td>11</td> </tr> </table>	DWG. NO.		REV.		SIZE	SCALE	SHT	OF		2:3	2	11
DWG. NO.		REV.													
SIZE	SCALE	SHT	OF												
	2:3	2	11												



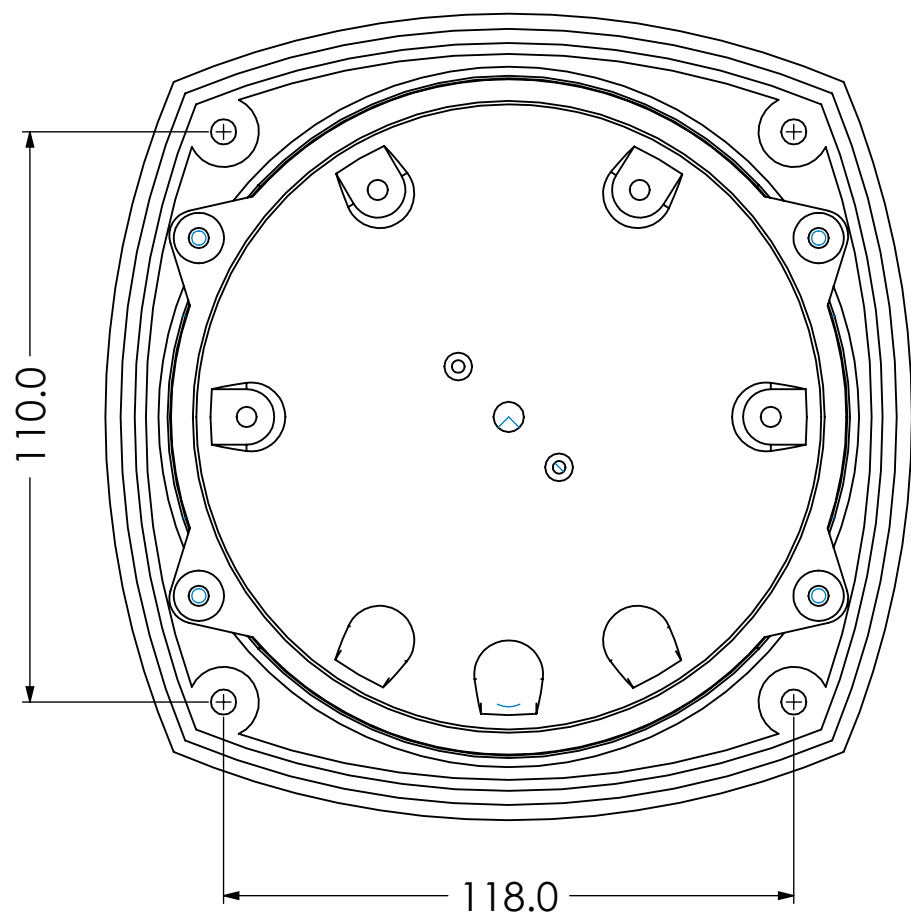
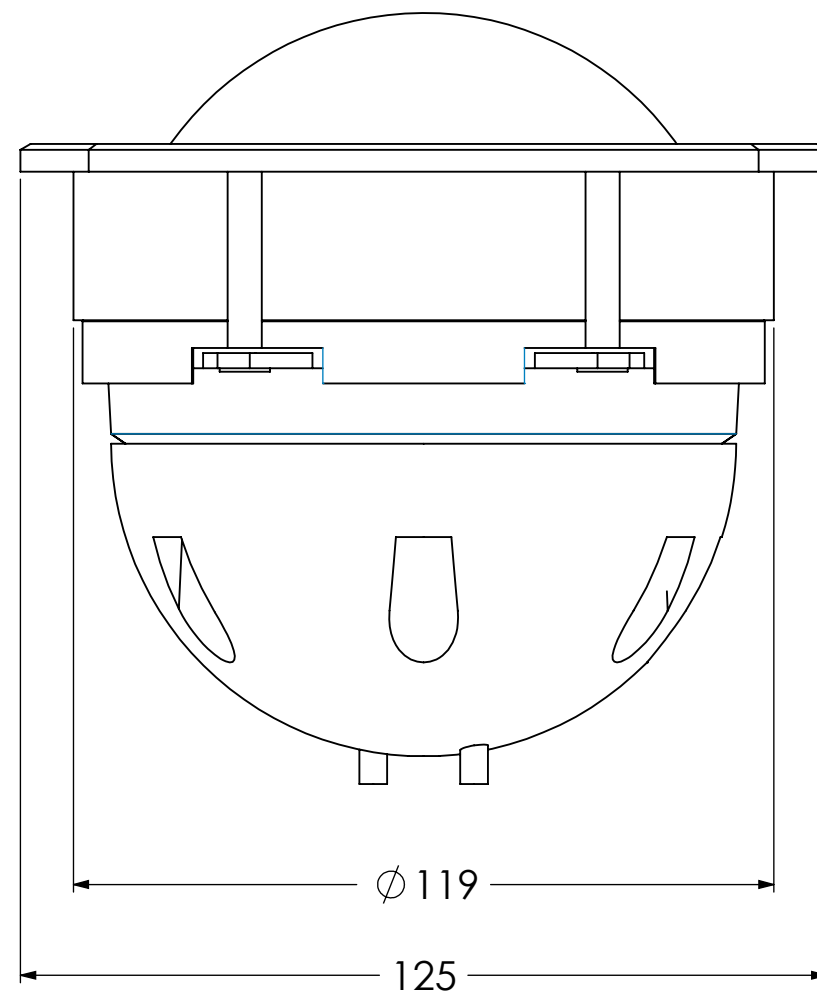
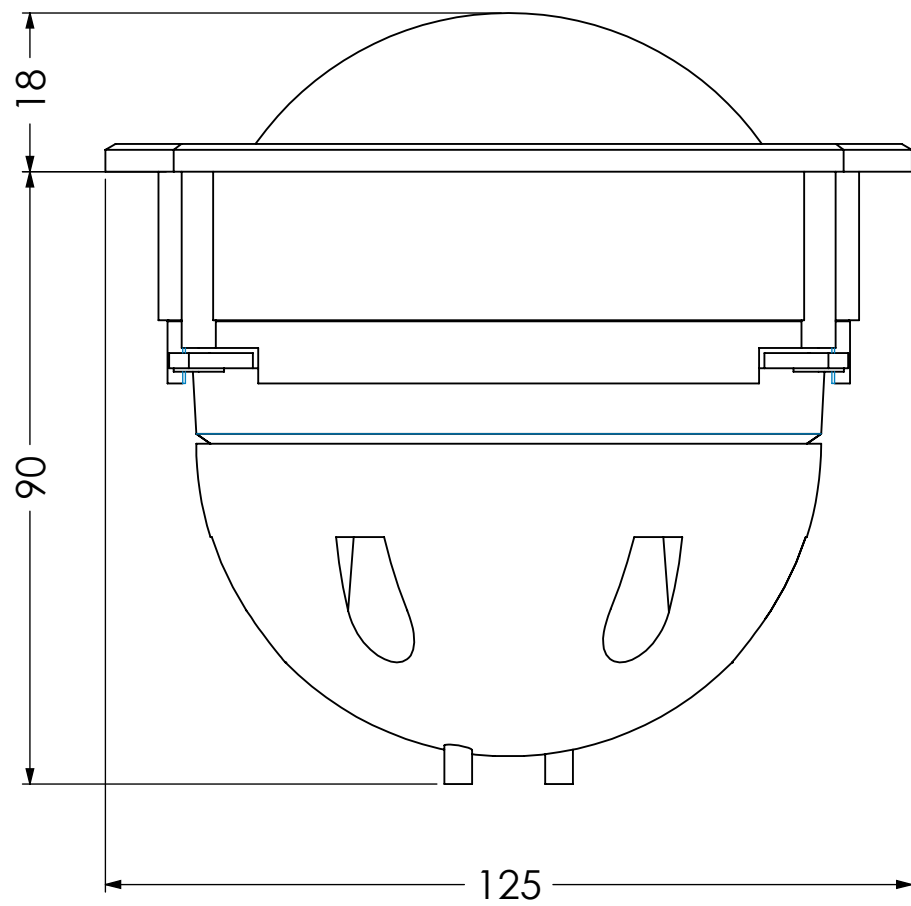
NOTES  
1. Units: mm

<p>CONFIDENTIAL This drawing and the specifications contained herein are the property of Garmin Ltd. or its subsidiaries and may not be reproduced or used in whole or in part as the basis for manufacture or sale of products without written permission.</p>		<p><b>GARMIN</b>® Garmin Ltd. or its subsidiaries c/o Garmin International, Inc. 1200 E. 151st Street Olathe, Kansas 66062 USA</p>	
DRAWN	DATE	TITLE 125FTC	
<p>TOLERANCE UNLESS OTHERWISE NOTED mm .X± 0.3 .XX± 0.13 Ø&lt;25± 0.08 ANGLES± 1.0°</p>		<p>SOURCE FILES (VERSION NUMBERS ARE AUTOMATICALLY GENERATED):</p>	<p>DWG. NO.</p>
		<p>THIRD ANGLE</p>	<p>REV.</p>
		<p>SIZE</p>	<p>SCALE</p>
		<p>2:3</p>	<p>SHT</p>
		<p>3</p>	<p>OF</p>
		<p>11</p>	<p>REV.</p>



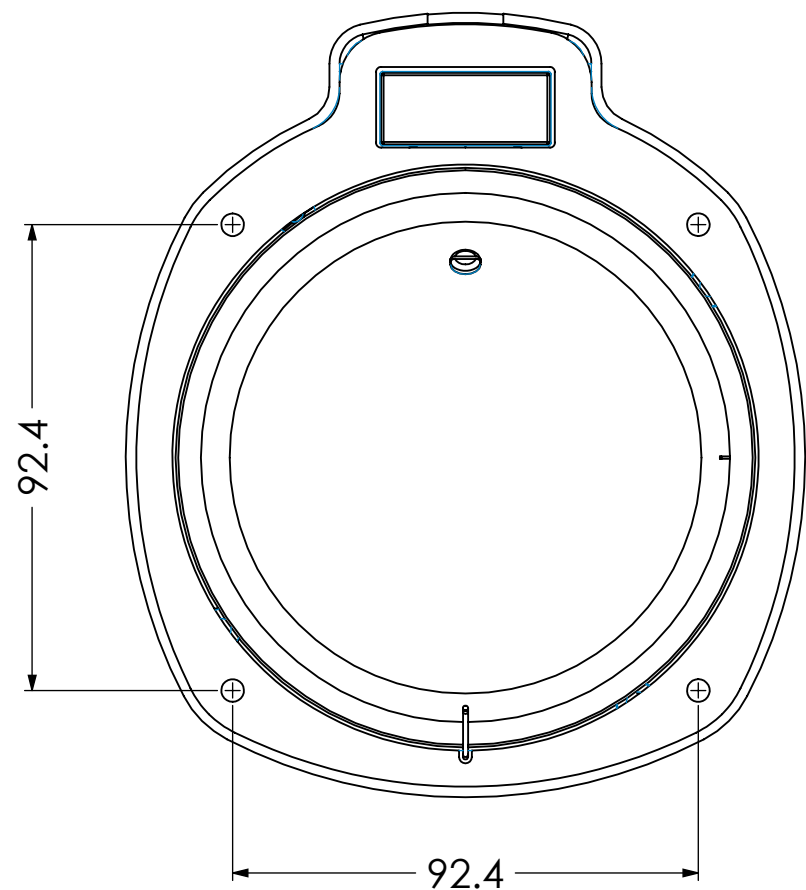
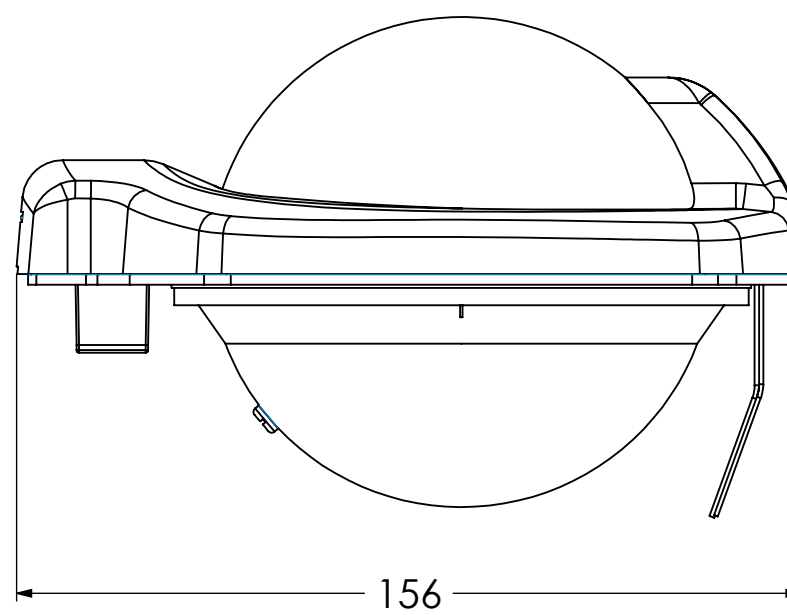
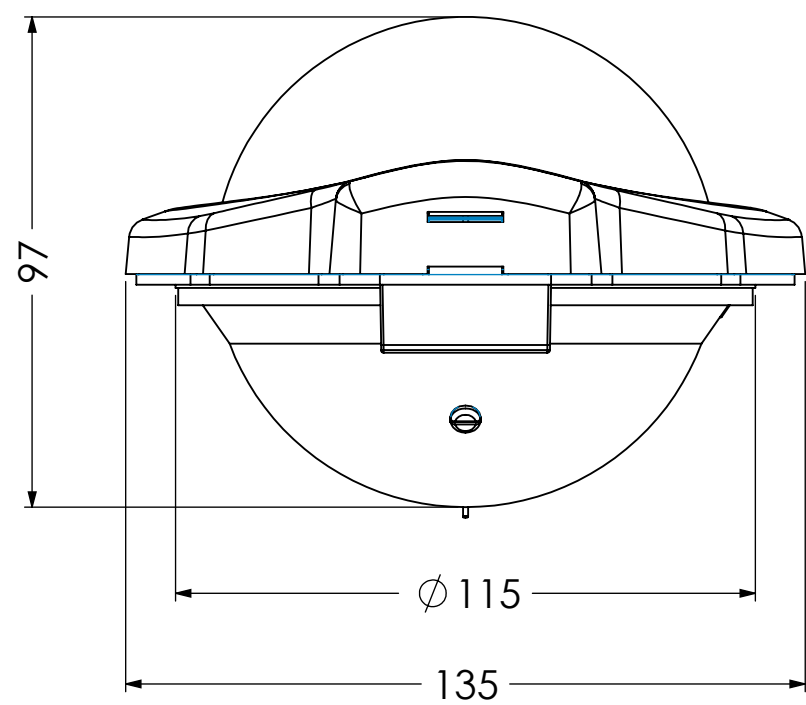
NOTES  
1. Units: mm

<p><b>CONFIDENTIAL</b> This drawing and the specifications contained herein are the property of Garmin Ltd. or its subsidiaries and may not be reproduced or used in whole or in part as the basis for manufacture or sale of products without written permission.</p>		<p><b>GARMIN</b>® Garmin Ltd. or its subsidiaries c/o Garmin International, Inc. 1200 E. 151st Street Olathe, Kansas 66062 USA</p>	
DRAWN	DATE	TITLE	
		125BH	
<p>TOLERANCE UNLESS OTHERWISE NOTED mm .X± 0.3 .XX± 0.13 Ø&lt;25± 0.08 ANGLES± 1.0°</p>		<p>SOURCE FILES (VERSION NUMBERS ARE AUTOMATICALLY GENERATED):</p>	<p>DWG. NO.</p>
		<p>THIRD ANGLE</p>	<p>REV.</p>
		<p>SIZE</p>	<p>SCALE</p>
		<p>2:3</p>	<p>SHT</p>
		<p>4</p>	<p>OF</p>
		<p>11</p>	<p>11</p>

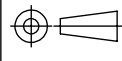


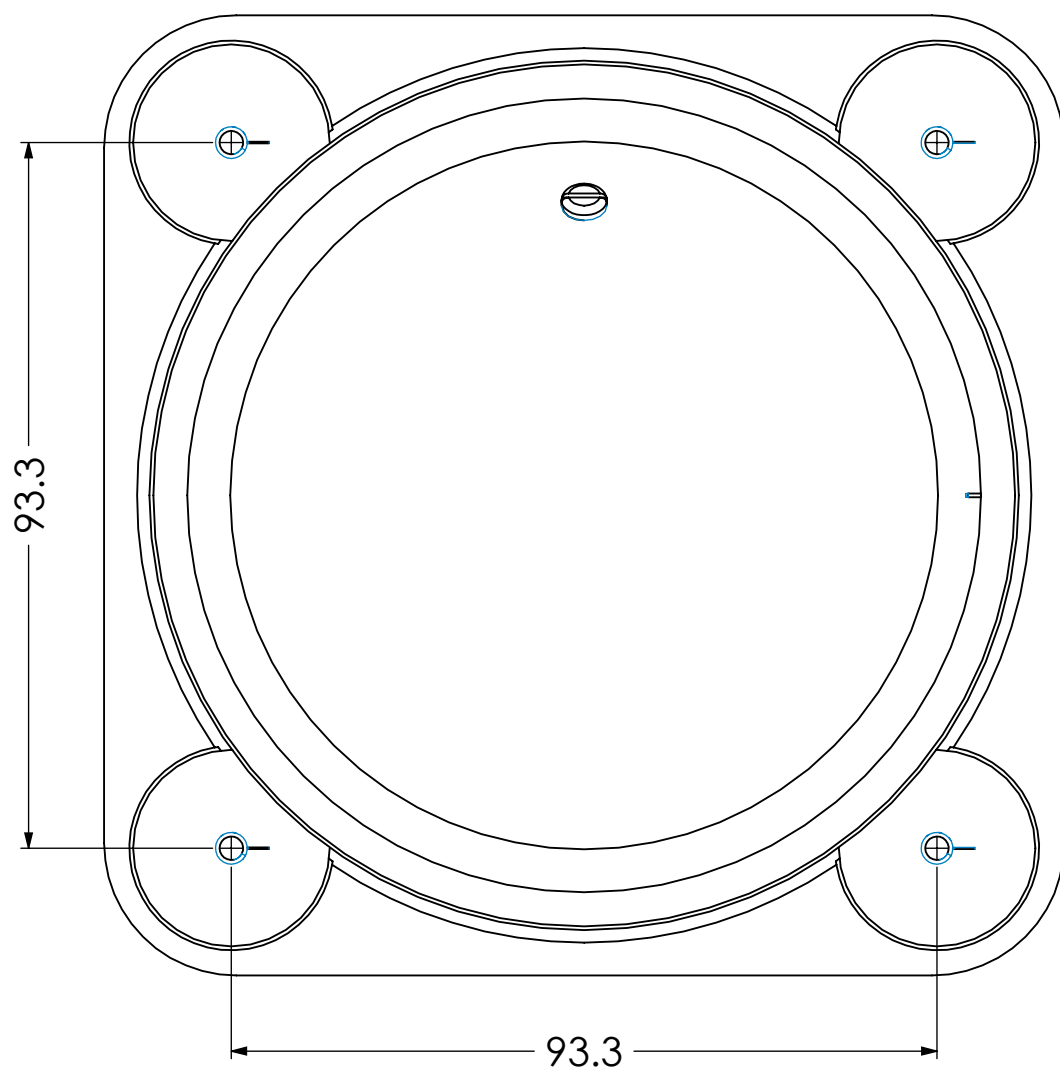
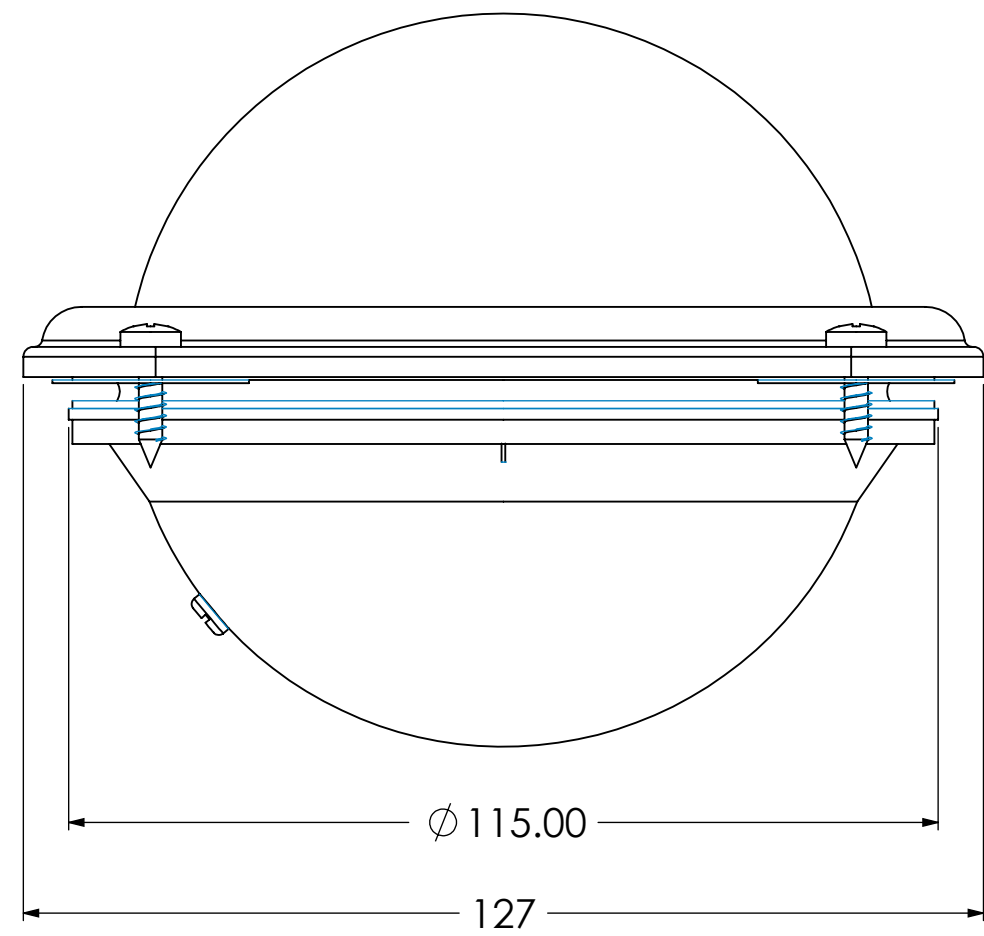
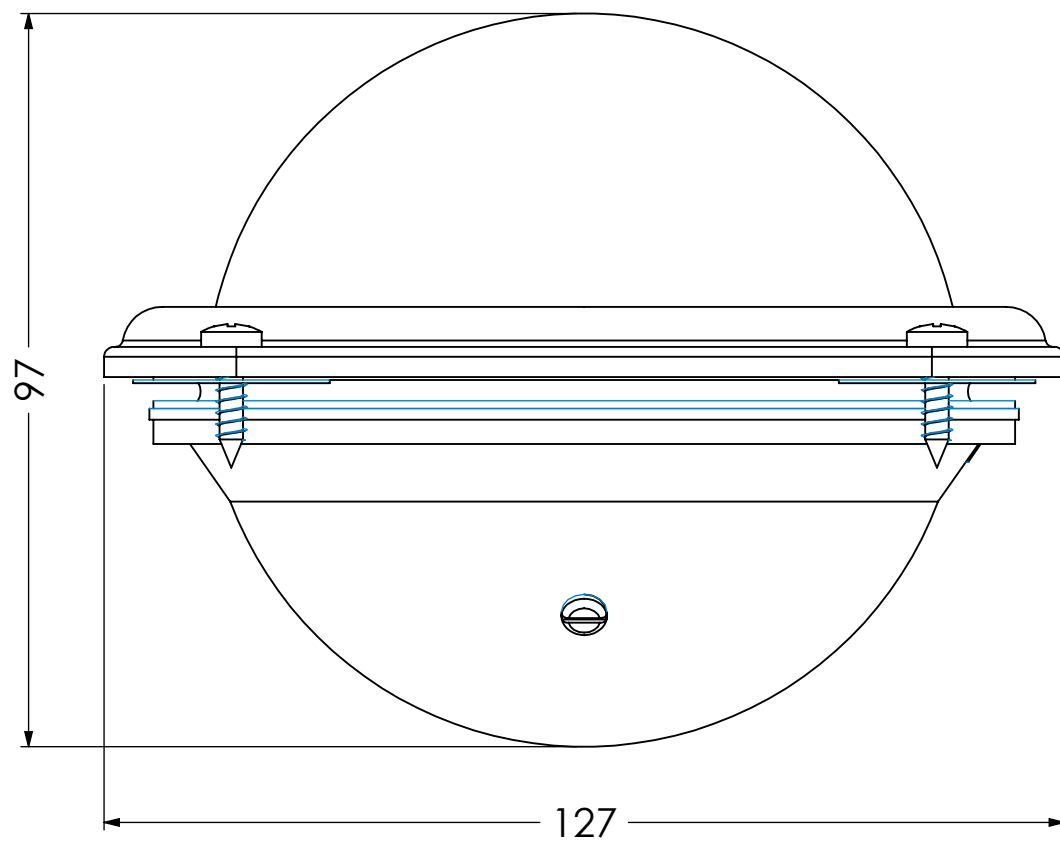
NOTES  
1. Units: mm

<p>CONFIDENTIAL This drawing and the specifications contained herein are the property of Garmin Ltd. or its subsidiaries and may not be reproduced or used in whole or in part as the basis for manufacture or sale of products without written permission.</p>		<p><b>GARMIN</b><sup>®</sup> Garmin Ltd. or its subsidiaries c/o Garmin International, Inc. 1200 E. 151st Street Olathe, Kansas 66062 USA</p>	
DRAWN	DATE	TITLE 100BH	
<p>TOLERANCE UNLESS OTHERWISE NOTED mm .X±0.3 .XX±0.13 ∅&lt;25±0.08 ANGLES± 1.0°</p>		<p>SOURCE FILES (VERSION NUMBERS ARE AUTOMATICALLY GENERATED):</p>	<p>DWG. NO.</p>
		<p>THIRD ANGLE</p>	<p>REV.</p>
		<p>SIZE SCALE SHT OF</p>	<p>2:3 5 11</p>

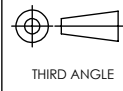


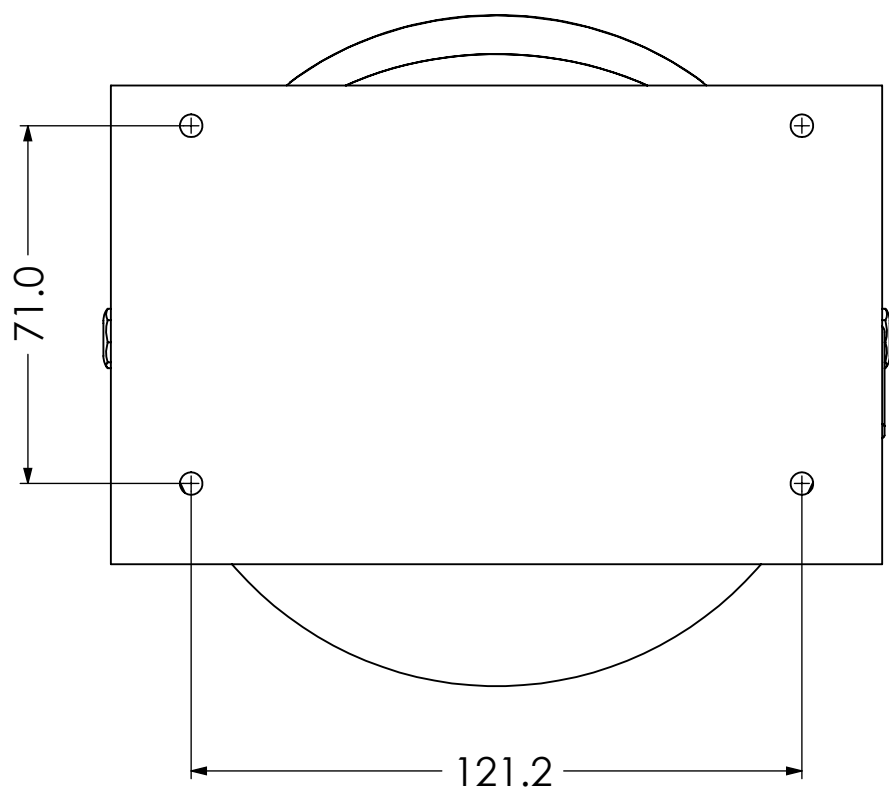
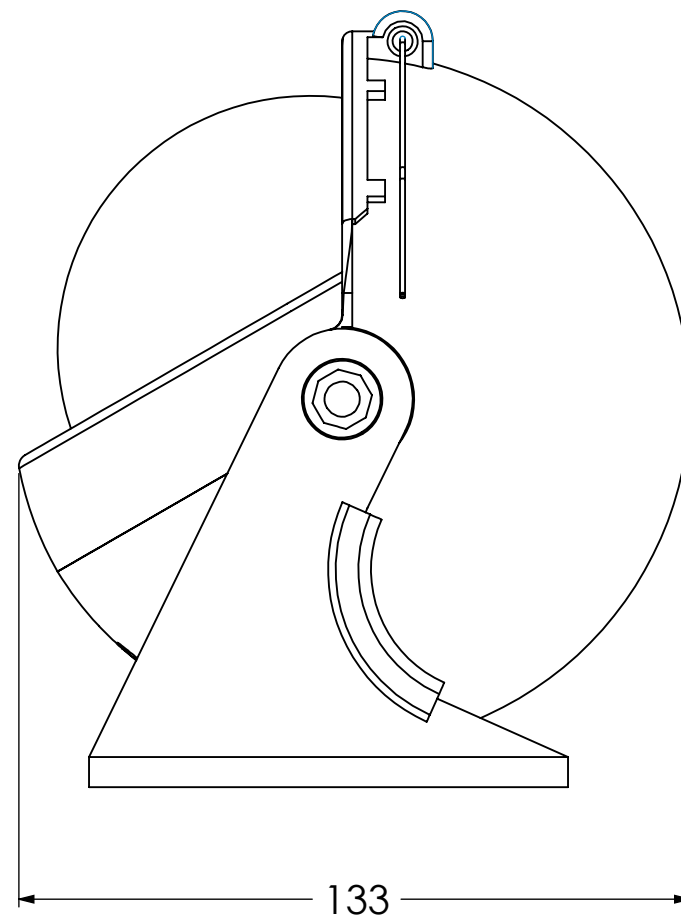
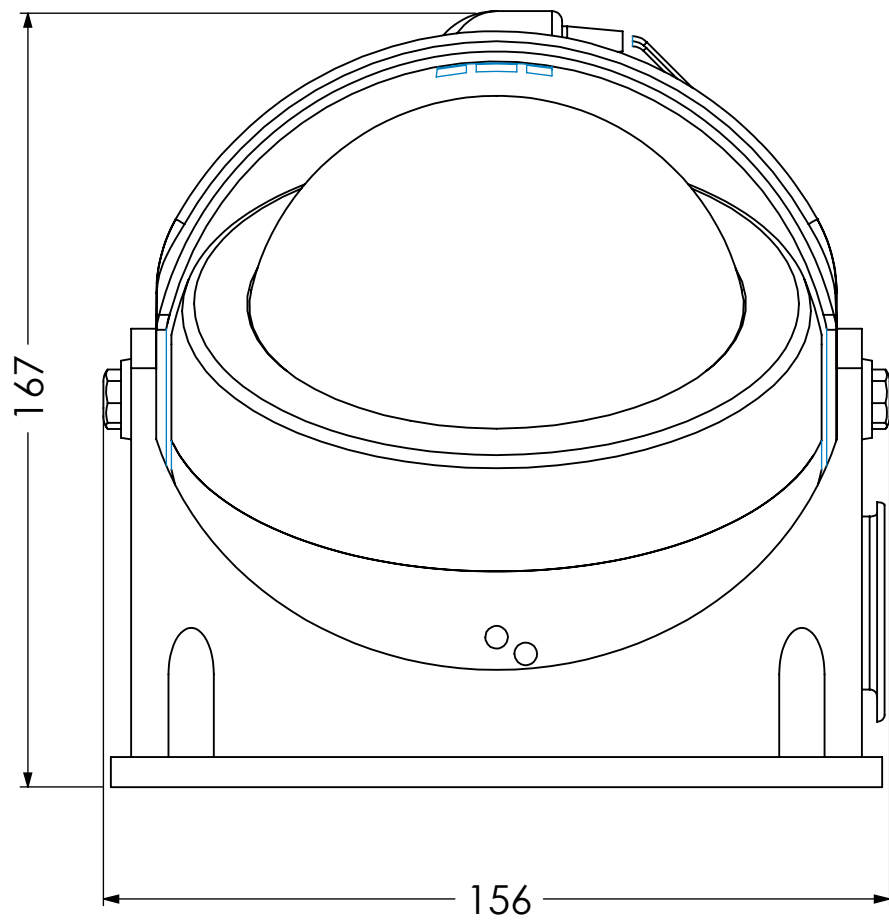
NOTES  
1. Units: mm

<p><b>CONFIDENTIAL</b> This drawing and the specifications contained herein are the property of Garmin Ltd. or its subsidiaries and may not be reproduced or used in whole or in part as the basis for manufacture or sale of products without written permission.</p>		<p><b>GARMIN</b>® Garmin Ltd. or its subsidiaries c/o Garmin International, Inc. 1200 E. 151st Street Olathe, Kansas 66062 USA</p>	
DRAWN	DATE	TITLE <b>102BH</b>	
<p>TOLERANCE UNLESS OTHERWISE NOTED mm .X± 0.3 .XX± 0.13 Ø &lt; 25± 0.08 ANGLES± 1.0°</p>		 THIRD ANGLE	<p>SOURCE FILES (VERSION NUMBERS ARE AUTOMATICALLY GENERATED):</p>
		DWG. NO.	REV.
SIZE	SCALE	SHT	OF
	2:3	6	11



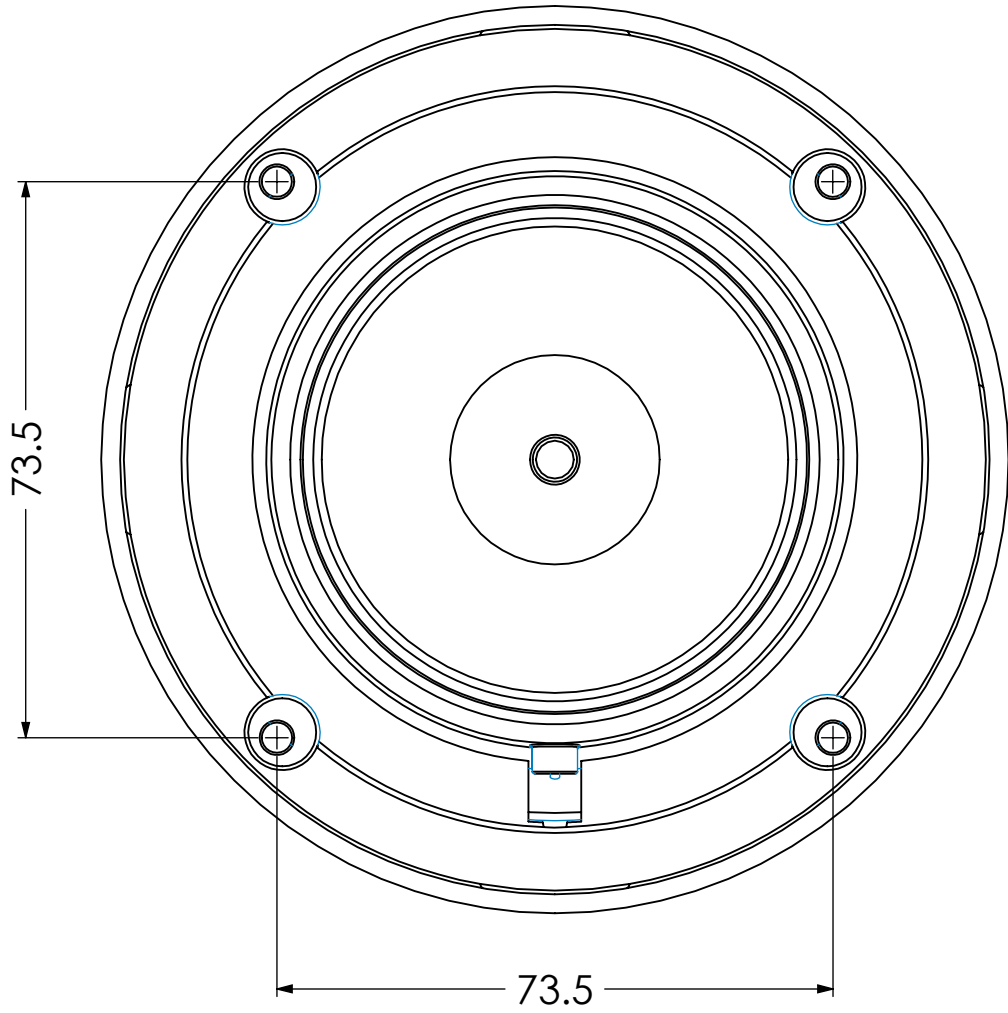
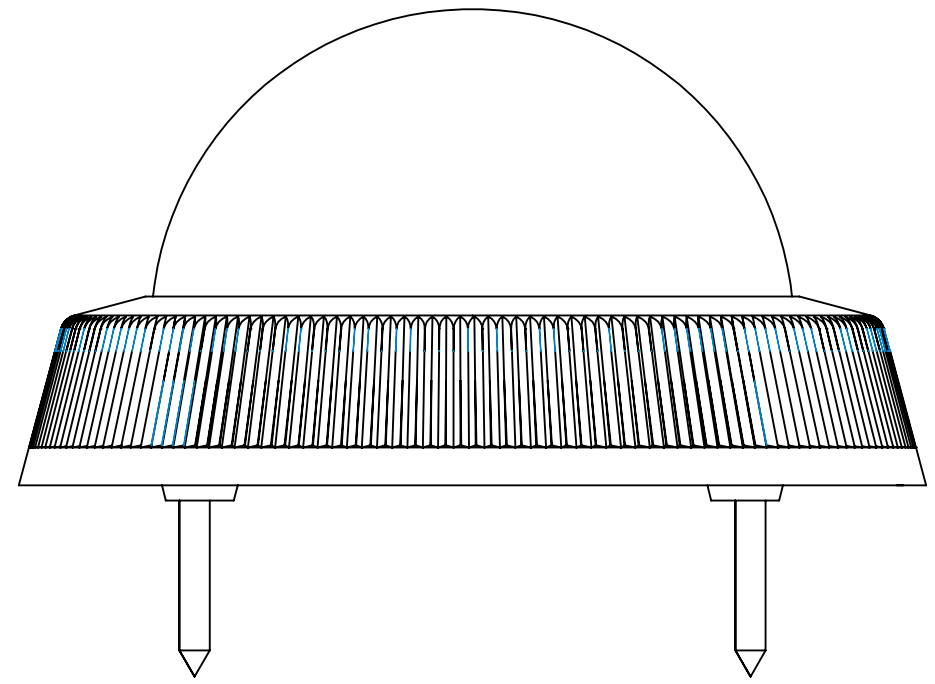
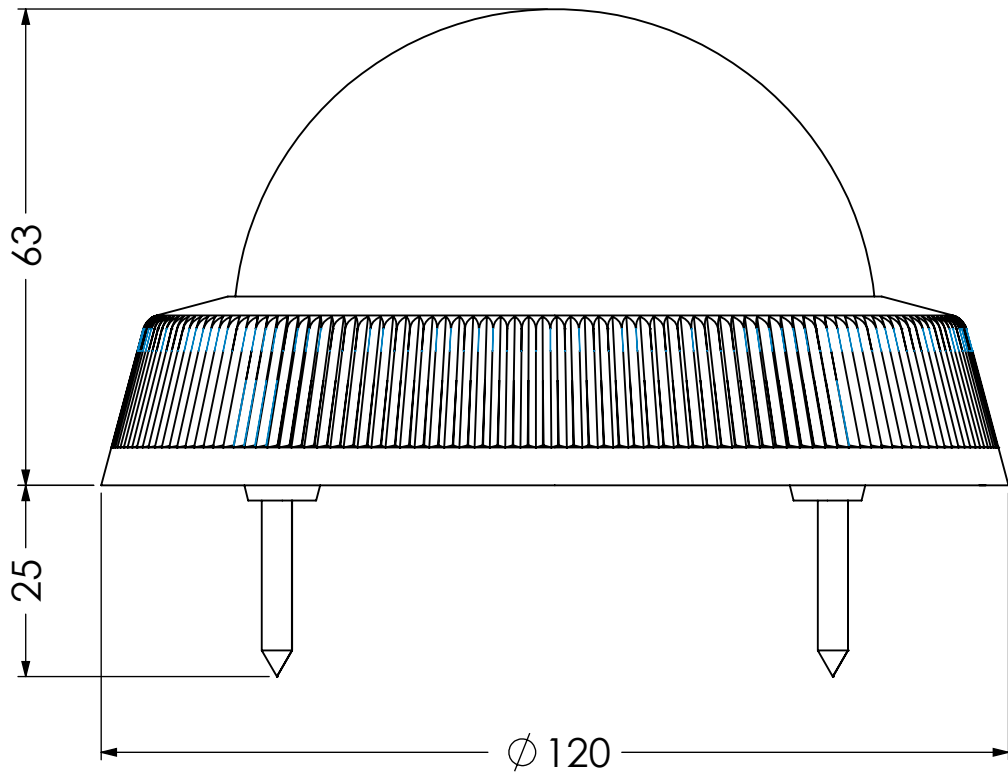
NOTES  
1. Units: mm

<p>CONFIDENTIAL</p> <p><small>This drawing and the specifications contained herein are the property of Garmin Ltd. or its subsidiaries and may not be reproduced or used in whole or in part as the basis for manufacture or sale of products without written permission.</small></p>		<p><b>GARMIN</b></p> <p><small>Garmin Ltd. or its subsidiaries c/o Garmin International, Inc. 1200 E. 151st Street Olathe, Kansas 66062 USA</small></p>	
<p>DRAWN</p>	<p>DATE</p>	<p>TITLE</p> <p>100P</p>	
<p>TOLERANCE UNLESS OTHERWISE NOTED</p> <p>mm .X± 0.3 .XX± 0.13 Ø&lt;25± 0.08 ANGLES± 1.0°</p>	 <p>THIRD ANGLE</p>	<p>SOURCE FILES (VERSION NUMBERS ARE AUTOMATICALLY GENERATED):</p>	<p>DWG. NO.</p> <p>SIZE SCALE SHT OF</p> <p>1:1 7 11</p>
			<p>REV.</p>

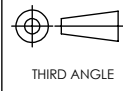


NOTES  
1. Units: mm

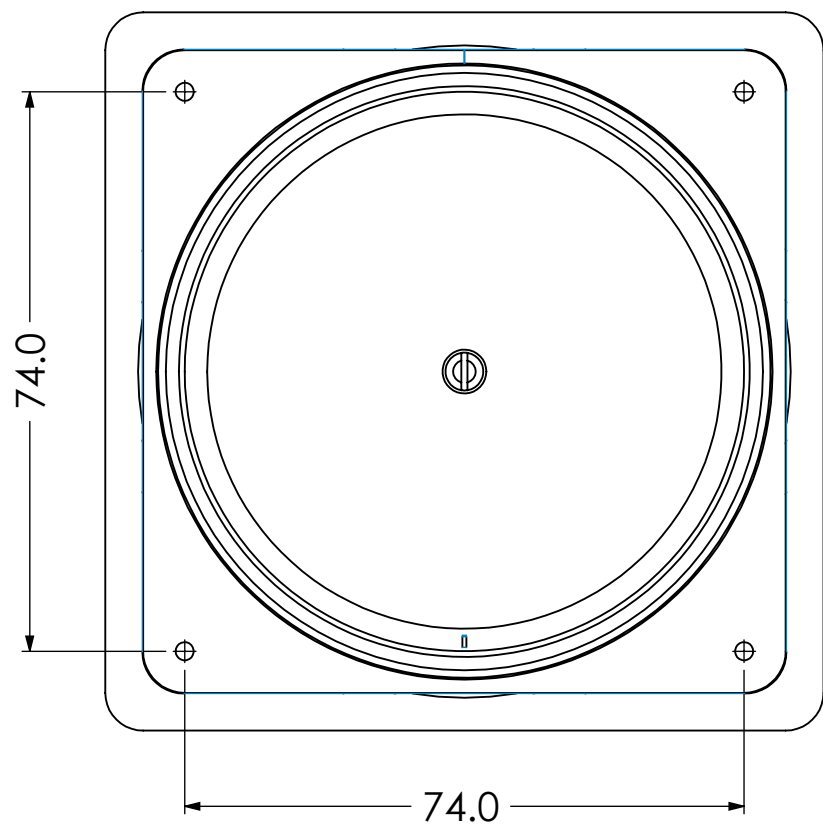
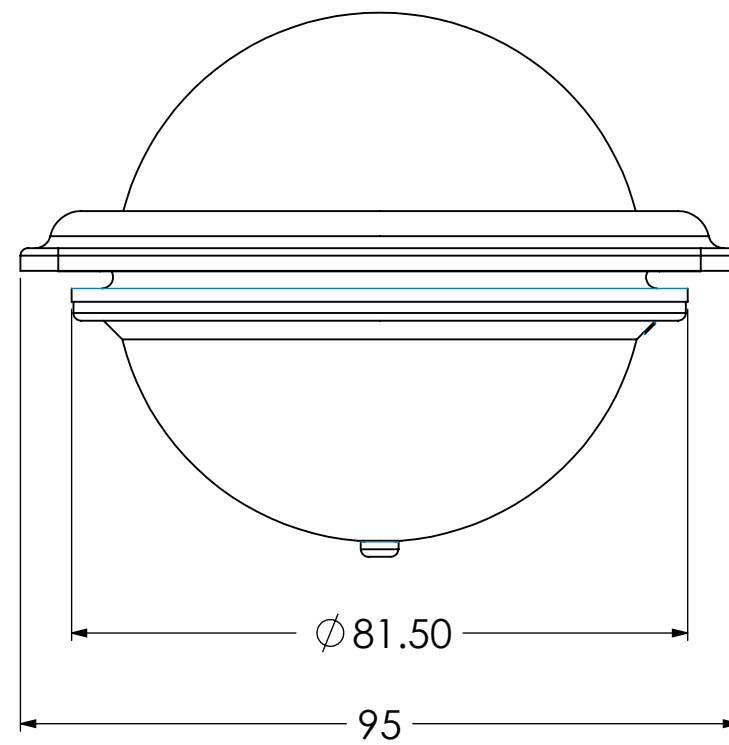
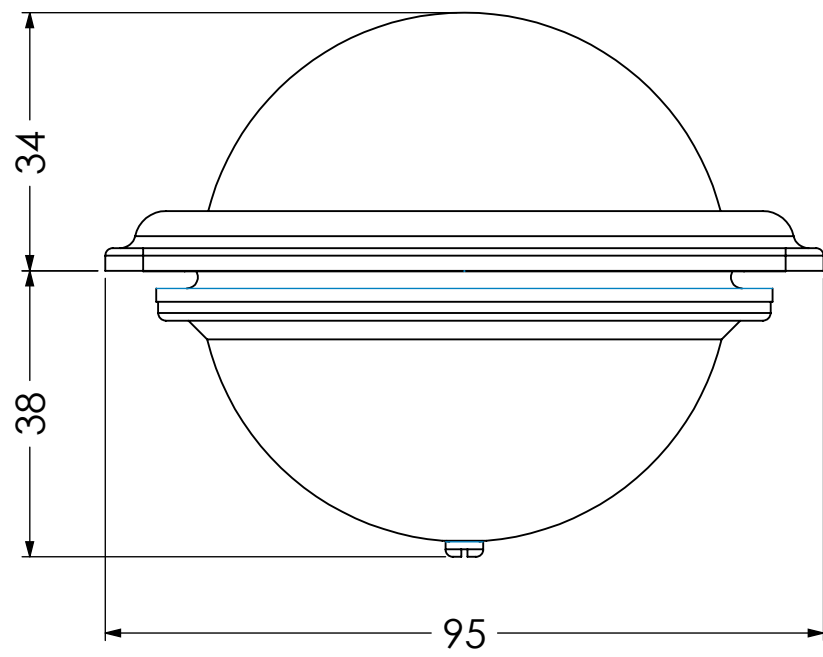
<p><b>CONFIDENTIAL</b> This drawing and the specifications contained herein are the property of Garmin Ltd. or its subsidiaries and may not be reproduced or used in whole or in part as the basis for manufacture or sale of products without written permission.</p>		<p><b>GARMIN</b>® Garmin Ltd. or its subsidiaries c/o Garmin International, Inc. 1200 E. 151st Street Olathe, Kansas 66062 USA</p>	
DRAWN	DATE	TITLE <b>100NBC</b>	
<p><b>TOLERANCE</b> UNLESS OTHERWISE NOTED mm .X±0.3 .XX±0.13 Ø&lt;25±0.08 ANGLES± 1.0°</p>		<p>SOURCE FILES (VERSION NUMBERS ARE AUTOMATICALLY GENERATED):</p>	<p>DWG. NO.</p>
		<p>THIRD ANGLE</p>	<p>REV.</p>
		<p>SIZE</p>	<p>SCALE</p>
		<p>2:3</p>	<p>SHT</p>
		<p>8</p>	<p>OF</p>
		<p>11</p>	<p>11</p>



NOTES  
1. Units: mm

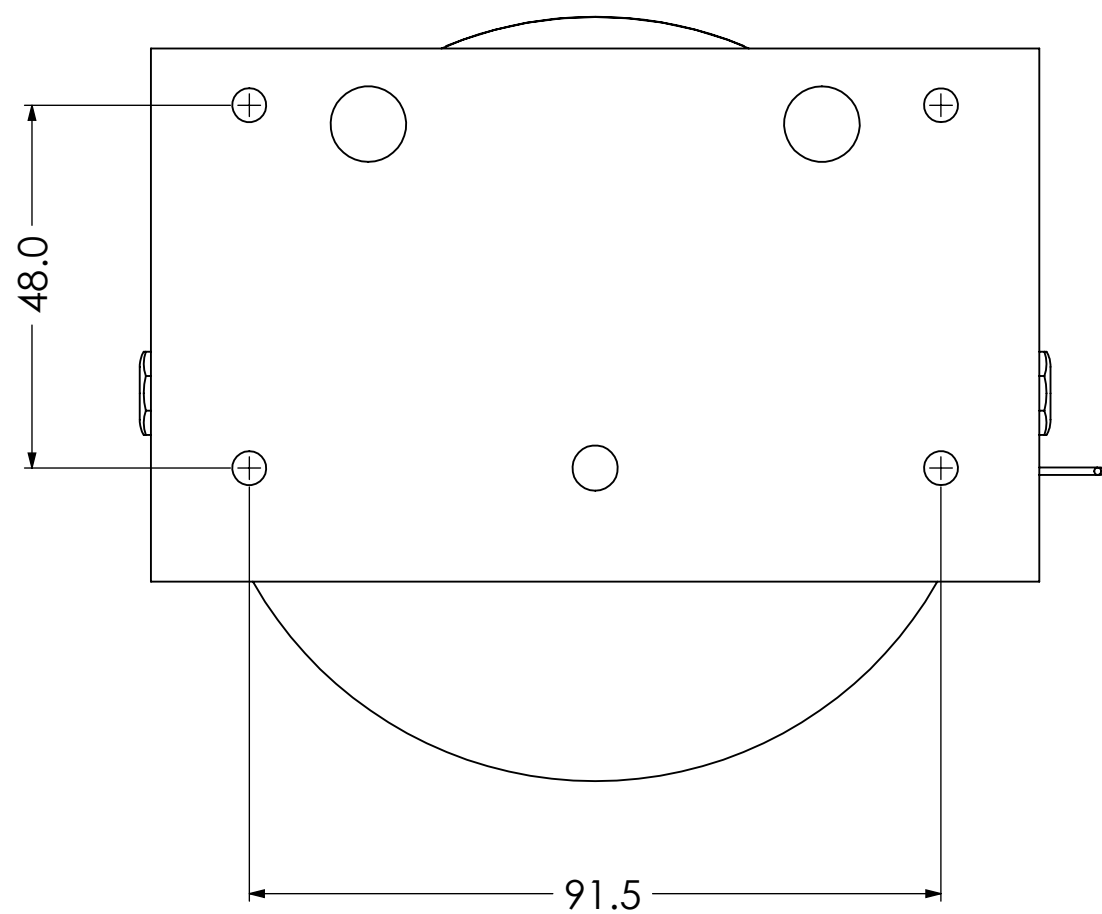
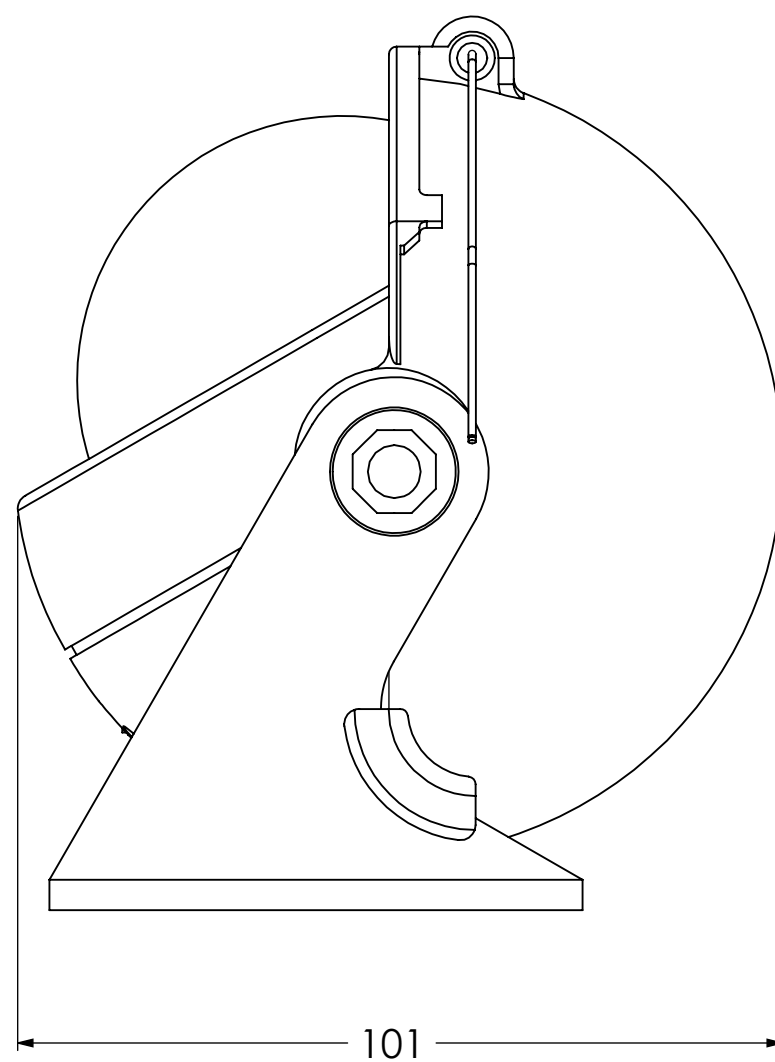
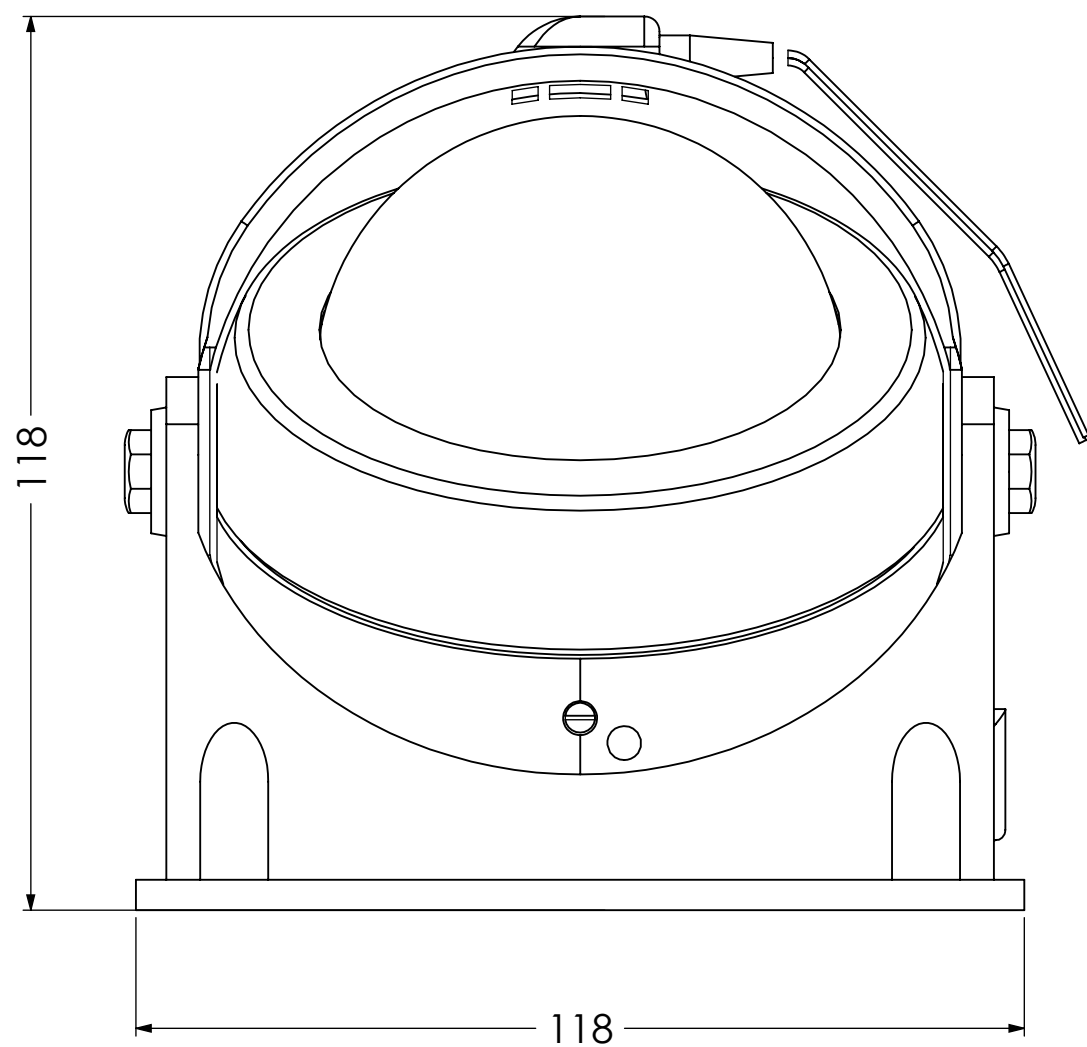
<p><b>CONFIDENTIAL</b> This drawing and the specifications contained herein are the property of Garmin Ltd. or its subsidiaries and may not be reproduced or used in whole or in part as the basis for manufacture or sale of products without written permission.</p>		<p><b>GARMIN</b>® Garmin Ltd. or its subsidiaries c/o Garmin International, Inc. 1200 E. 151st Street Olathe, Kansas 66062 USA</p>	
DRAWN	DATE	TITLE	
		85 Black White	
<p>TOLERANCE UNLESS OTHERWISE NOTED mm .X± 0.3 .XX± 0.13 Ø&lt;25± 0.08 ANGLES± 1.0°</p>		<p>THIRD ANGLE</p> 	<p>SOURCE FILES (VERSION NUMBERS ARE AUTOMATICALLY GENERATED):</p>
		DWG. NO.	REV.
SIZE	SCALE	SHT	OF
	1:1	9	11





NOTES  
1. Units: mm

<p>CONFIDENTIAL This drawing and the specifications contained herein are the property of Garmin Ltd. or its subsidiaries and may not be reproduced or used in whole or in part as the basis for manufacture or sale of products without written permission.</p>		<p><b>GARMIN</b><sup>®</sup> Garmin Ltd. or its subsidiaries c/o Garmin International, Inc. 1200 E. 151st Street Olathe, Kansas 66062 USA</p>	
DRAWN	DATE	TITLE 70P	
<p>TOLERANCE UNLESS OTHERWISE NOTED mm .X± 0.3 .XX± 0.13 ∅ &lt; 25 ± 0.08 ANGLES ± 1.0°</p>		<p>SOURCE FILES (VERSION NUMBERS ARE AUTOMATICALLY GENERATED):</p>	<p>DWG. NO.</p>
<p>THIRD ANGLE</p>		<p>SIZE</p>	<p>SCALE</p>
		<p>1:1</p>	<p>SHT 10 OF 11</p>
		<p>REV.</p>	



NOTES  
1. Units: mm

<p>CONFIDENTIAL This drawing and the specifications contained herein are the property of Garmin Ltd. or its subsidiaries and may not be reproduced or used in whole or in part as the basis for manufacture or sale of products without written permission.</p>		<p><b>GARMIN</b><sup>®</sup> Garmin Ltd. or its subsidiaries c/o Garmin International, Inc. 1200 E. 151st Street Olathe, Kansas 66062 USA</p>	
DRAWN	DATE	TITLE 70NBC	
<p>TOLERANCE UNLESS OTHERWISE NOTED mm .X±0.3 .XX±0.13 Ø&lt;25±0.08 ANGLES±1.0°</p>		<p>THIRD ANGLE</p>	<p>SOURCE FILES (VERSION NUMBERS ARE AUTOMATICALLY GENERATED):</p>
		DWG. NO.	REV.
SIZE	SCALE	SHT	OF
	1:1	11	11